

The **ALTUS** family is a solution specially developed for spaces that can't be fixed using juxtaposed mounting. The family consists of several models with a simple shape, for surface mounting and with a size proportional to their power.

The **R** models stand out for their round shape.

With LEDs with a high color rendering index ( $Ra > 90$ ) and a long service life ( $> 50,000h$ ), with different color temperatures available.



**PRODUCT DESCRIPTION**

<b>Mounting Type</b>	Surface mounted;
<b>Body</b>	Polished steel, thermolacquered in color;
<b>Application</b>	Commercial spaces; Housing; Transition zones;
<b>CRI</b>	$Ra > 90$ ;
<b>Reflector</b>	S; M; W;
<b>Diffuser</b>	(optional);

**ELECTRICAL SPECIFICATIONS**

<b>Max. Power supply output</b>	500 mA;
<b>Power Factor</b>	$> 0,98$ ;
<b>Protection class</b>	I;

**STANDARDS (PRODUCTS MANUFACTURED ACCORDING TO:)**

EN 60598-1:2004

**PACKAGE**

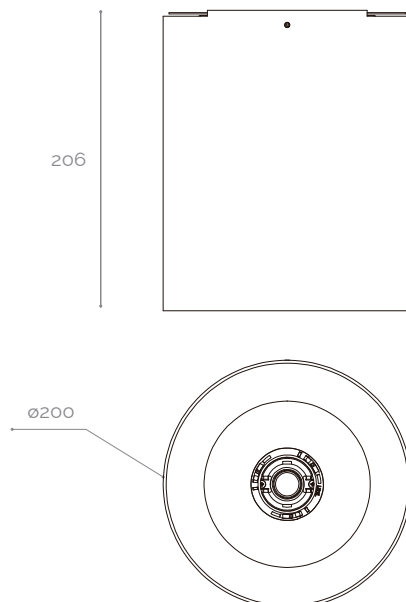
<b>Dimension (mm)</b>	235x195x180
<b>Weight (Kg)</b>	2.5

**FINISHES**

<b>Wh</b>	White (RAL 9110)
<b>Gr</b>	Grey (RAL 7040)
<b>Bk</b>	Black (RAL 9005)

Different finishes upon request

**MECHANICAL DRAWINGS (mm)**



PHOTOMETRIC SPECIFICATIONS

REFLECTOR	PERFORMANCE	POWER (W)	PHOTOMETRIC CODE	LUMINOUS FLUX (lm)	SYSTEM EFFICIENCY* (lm/W)
XW	HO	28	927	2591	94
			930	2686	97
			940	2903	105
	HE	19	927	1911	101
			930	1981	104
			940	2141	113

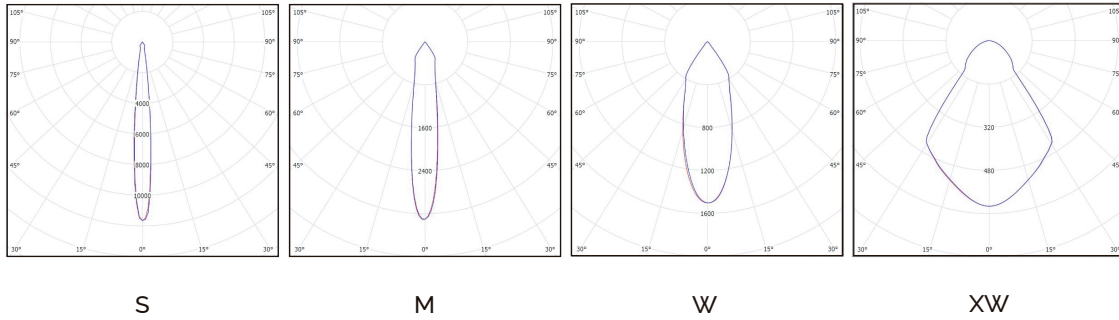
**NOTE:** Nominal values at temperature (Tp=25°C | XW reflector | (\*) - Normal system (without control);

The luminous flux and input power of the luminaire are indicative values valid for an ambient temperature of 25°C. The actual flux emitted by the luminaire depends on environmental conditions (e.g. temperature and pollution) and may vary according to specific configurations. The reported values are subject to the tolerances in technology.

HO - High output flux;

HE - High efficiency;

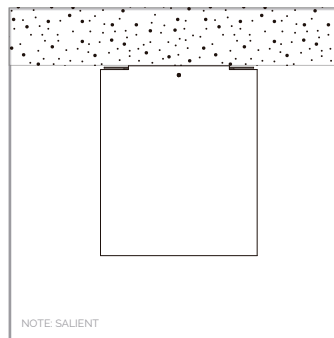
POLAR DIAGRAM



ORDER EXAMPLE

PRODUCT FAMILY	PERFORMANCE	PHOTOMETRIC CODE	REFLECTOR	FINISHING	OPTIONS
ALTUS R 200	HO	930	W	Br	-

ILLUSTRATIVE IMAGES



NOTES



RISK OF  
ELECTRIC SHOCK

This device is not suitable for pricking out.  
Light source not user-replaceable.

For more information on the different architectures, solutions and functionalities available, please contact Lightenjin.

Under the general terms of the supply of our services and/or equipment, Lightenjin declines any responsibility for the use or purpose assigned to them, which are the sole and exclusive responsibility of the customer.

Lightenjin reserves the right to change the information contained in this document without prior notice.

LIGHTENJIN II - LIGHTING INDUSTRY, LDA

PARQUE EMPRESARIAL DO CASARÃO, AVENIDA DAS 2 RODAS, LOTE 36A. 3750-041 AGUADA DE CIMA | PORTUGAL  
tel: +351 234 080 117 | fax: +351 234 640 064 | geral@lightenjin.pt

