

ASELLI is a hood suitable for decorative lighting, associated with a rustic concept.

It incorporates bulbs suitable for E27 sockets, making it simple and easy to use.



PRODUCT DESCRIPTION

Assembly	Suspension;
Body	Aluminum, painted in one color with epoxy; or Aluminum painted in two colors with liquid paint;
Application	Residential spaces; Commercial spaces; Hotel spaces;

ELECTRICAL SPECIFICATIONS

Light source	E27 socket bulb; (maximum recommended wattage - 14 W)
Class of electrical protection	I;

STANDARDS (PRODUTOS FABRICADOS SEGUNDO:)

EN 60598-1:2004

FINISHES

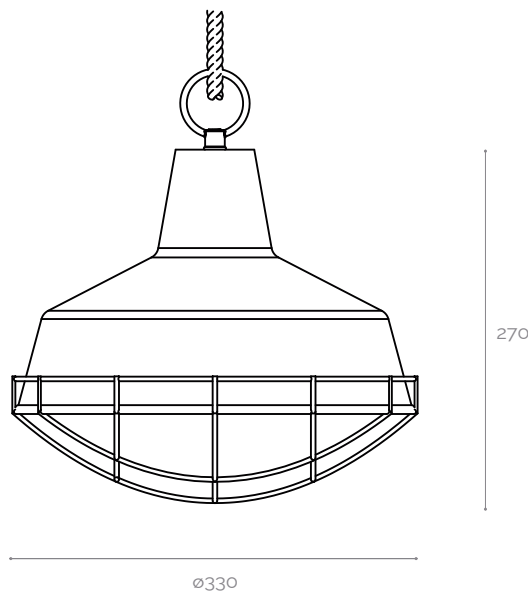
Gg Grain gray (RAL 7000)

Other finishes on request

PACKAGE

Dimension (mm)	300x300x250
Weight (Kg)	0,9

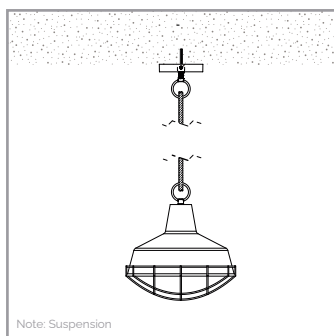
MECHANICAL DRAWINGS (mm)



ORDER EXAMPLE

PRODUCT FAMILY	SUPPORT	FINISHING	OPTIONS
ASELLI	E27	Cz	-

ILLUSTRATIVE IMAGES



NOTES

This device is not suitable for pricking out.
User-replaceable light source.

For more information on the different architectures, solutions and functionalities available, please contact Lightenjin.

Under the general terms of the supply of our services and/or equipment, Lightenjin declines all responsibility for the use or purpose assigned to them, which are the sole and exclusive responsibility of the customer.

Lightenjin reserves the right to change the information contained in this document without prior notice.

LIGHTENJIN II - LIGHTING INDUSTRY, LDA

PARQUE EMPRESARIAL DO CASARÃO, AVENIDA DAS 2 RODAS, LOTE 36A. 3750-041 AGUADA DE CIMA | PORTUGAL
tel: +351 234 080 117 | fax: +351 234 640 064 | geral@lightenjin.pt

