

**ATTEX** is an ideal solution for emergency lighting and signaling in demanding or potentially explosive environments. Careful and robust construction that guarantees fire protection.

Different luminous powers and autonomies available, allowing specific adaptation according to the requirements of each space.

Autonomy can be disabled.



**PRODUCT DESCRIPTION**

<b>Assembly</b>	Vertical projection; Horizontal overhang;
<b>Body</b>	Aluminum;
<b>Application</b>	Espaços comerciais; Zonas de circulação;
<b>Autonomy</b>	1 -3 hours; (possibility of inhibition)
<b>Diffuser</b>	PC - Polycarbonate; Vb - Vidro borosilicate;

**ELECTRICAL SPECIFICATIONS**

Class of electrical protection II ;

**STANDARDS (PRODUCTS MANUFACTURED ACCORDING TO:)**

EN 60598-1:2004

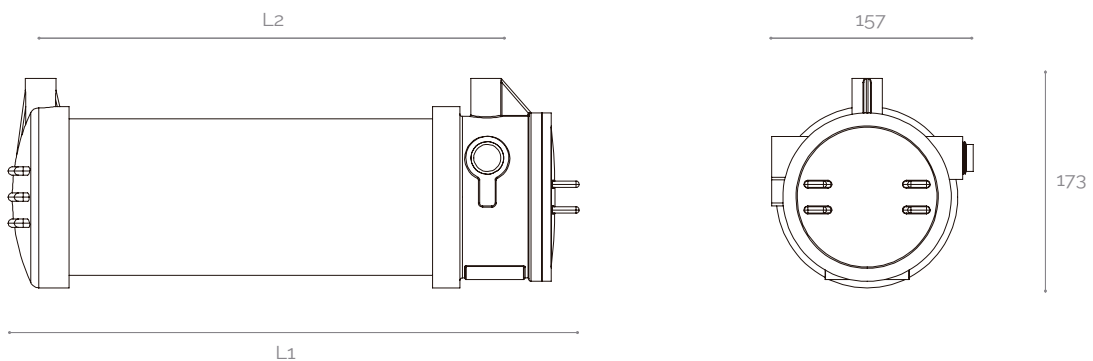
**FINISHES**

**Ye** Yellow

Other finishes on request

**MECHANICAL DRAWINGS (mm)**

MODEL	L1 (mm)	L2 (mm)
E1	485	375
E2	750	640
E3	1360	1360



PHOTOMETRIC SPECIFICATIONS

II 2 GD Ex d IIB / IIC T6 Gb  
Ex t IIIC T85°C Db



ATTEX

MODEL	DIFFUSER	TYPE	LUMINOUS FLUX (lm)
E1	PC	230 V AC	1200
E1			2100
E2			2400
E2			4600
E3			4600
E1	Vb		1275
E1			2400
E2			2550
E2			4800
E3			4800

**NOTE:** The luminaire's luminous flux is an indicative value valid for an ambient temperature of 25°C. The actual flux emitted by the luminaire depends on environmental conditions (e.g. temperature and pollution) and may vary according to specific configurations. Reported values are subject to tolerances in technology.

PC - Polycarbonate;  
Vb - Borosilicate glass;

ATTEX AUTONOMOUS

MODEL	DIFUSOR	TIPO	FLUXO LUMINOSO(*) (lm)	BATERIAS (Ni-Cd)	AUTONOMIA (h)	
E1	PC	FAR	350	3,6V 1,6Ah	1	
E1		C	2100 / 750	6V 1,6Ah	1	
E2		FAR	750	6V 1,6Ah	1	
E2		C	4600 / 750	6V 1,6Ah	1	
E3		C	4600 / 750	6V 1,6Ah	1	
E1		Vb	FAR	350	3,6V 4Ah	3
E1			FAR	750	6V 4Ah	3
E2			FAR	750	6V 6Ah	3
E2			C	4600 / 750	6V 4Ah	3
E3			C	4600 / 750	6V 4Ah	3
E1	FAR		400	3,6V 1,6Ah	1	
E1	C		2400 / 800	6V 1,6Ah	1	
E2	FAR		800	6V 1,6Ah	1	
E2	C		4800 / 800	6V 1,6Ah	1	
E3	C		4800 / 800	6V 1,6Ah	1	
E1	Vb	FAR	400	3,6V 4Ah	3	
E1		FAR	800	6V 4Ah	3	
E2		FAR	800	6V 6Ah	3	
E2		C	4800 / 800	6V 4Ah	3	
E3		C	4800 / 800	6V 4Ah	3	

**NOTE:** The luminaire's luminous flux is an indicative value valid for an ambient temperature of 25°C. The actual flux emitted by the luminaire depends on environmental conditions (e.g. temperature and pollution) and may vary according to specific configurations. The reported values are subject to the tolerances in technology.

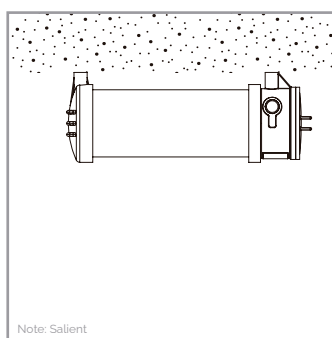
FAR - Operates in the event of a mains failure;  
C - Combined;  
PC - Polycarbonate;  
V - Glass;

(\*) Lm. Illum. / Lm. Emer.

**ORDER EXAMPLE**

PRODUCT FAMILY	TYPE	FLUX	BATTERIES	DIFFUSER	FINISHING	OPTIONS
ATTEX (E2)	FAR	750	6V 16Ah	PC	Am	DALi

**ILLUSTRATIVE IMAGES**



**NOTES**

This device is not suitable for pricking out.  
Light source not user-replaceable.

For more information on the different architectures, solutions and functionalities available, please contact Lightenjin.

Under the general terms of the supply of our services and/or equipment, Lightenjin declines any responsibility for the use or purpose assigned to them, which are the sole and exclusive responsibility of the customer.

Lightenjin reserves the right to change the information contained in this document without prior notice.

**LIGHTENJIN II - LIGHTING INDUSTRY, LDA**

PARQUE EMPRESARIAL DO CASARÃO, AVENIDA DAS 2 RODAS, LOTE 36A, 3750-041 AGUADA DE CIMA | PORTUGAL  
tel: +351 234 080 117 | fax: +351 234 640 064 | geral@lightenjin.pt

