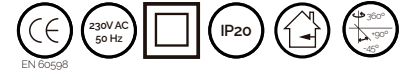


BEAM TRANSFORMER is a lighting solution that contains three adjustable lenses - front and center, which make it possible to produce spots of different sizes, with sharper or blurred edges; it contains four adjustable inserts, which produce numerous light projection formats.

With LEDs with a high color rendering index (Ra>90). Long-life LEDs (>50,000h), with different color temperatures available.

Orientable.



PRODUCT DESCRIPTION

Mounting Type	Three-phase rail;
Body	Aluminum, thermolacquered in color;
Application	Museus; Zonas de exposição;
CRI	Ra >90;
Diffuser	T - Transparent; (glass)

ELECTRICAL SPECIFICATIONS

Max. Power supply output	500 mA;
Power Factor	> 0,90;
Protection class	II ;

STANDARDS (PRODUCTS MANUFACTURED ACCORDING TO:)

EN 60598-1:2004

PACKAGE

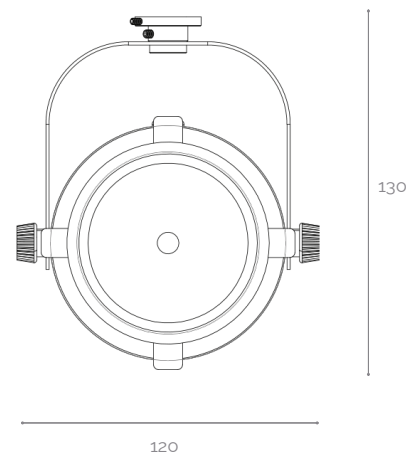
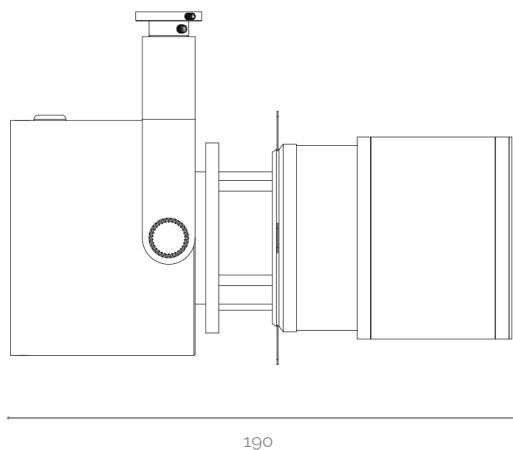
Dimension (mm)	320x300x160
Weight (kg)	1.15

FINISHES

Bk Black (RAL 9005)

Diferent finishes upon request

MECHANICAL DRAWINGS (mm)



PHOTOMETRIC SPECIFICATIONS

REFLECTOR	PERFORMANCE	POWER (W)	PHOTOMETRIC CODE	LUMINOUS FLUX (lm)	SYSTEM EFFICIENCY* (lm/W)
S	HO	48	927	4146	86
			930	4297	89
			940	4645	96
	HE	36	927	3239	90
			930	3357	94
			940	3629	101
M	HO	48	927	4146	86
			930	4297	89
			940	4645	69
	HE	36	927	3239	90
			930	3357	94
			940	3629	101
X	HO	48	927	41466	86
			930	4297	89
			940	4645	96
	HE	36	927	3239	90
			930	3357	94
			940	3629	101
XW	HO	48	927	4191	87
			930	4344	90
			940	4695	97
	HE	36	927	3274	91
			930	3393	95
			940	3668	102

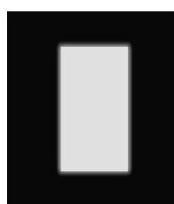
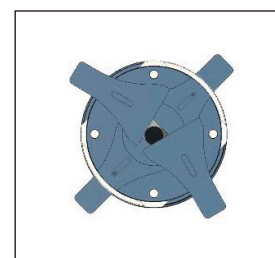
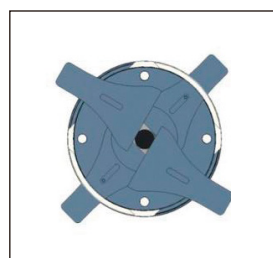
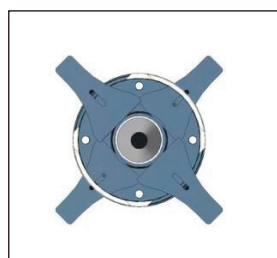
NOTE: Nominal values at temperature (Tp - 25°C) | (*) - Normal system (without control);

The luminaire's luminous flux and input power are indicative values valid for an ambient temperature of 25°C. The actual flux emitted by the luminaire depends on environmental conditions (e.g. temperature and pollution) and may vary according to specific configurations. The reported values are subject to the tolerances in technology.

HO - High output flux;
HE - High efficiency;

PROJECTIONS

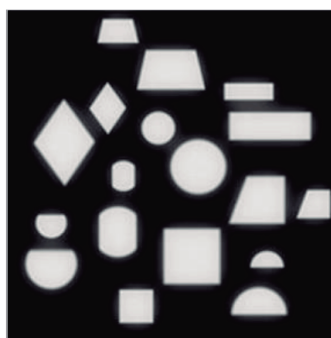
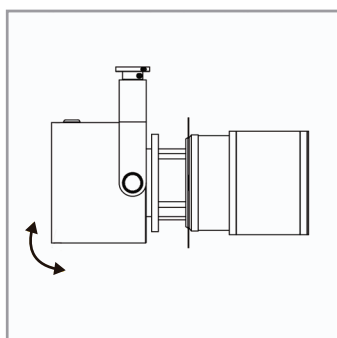
ILLUSTRATIVE IMAGES



ORDER EXAMPLE

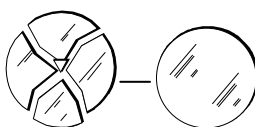
PRODUCT FAMILY	PERFORMANCE	PHOTOMETRIC CODE	DIFFUSER	FINISHING	OPTIONS
BEAM TRANSFORMER	HO	940	T	Br	-

ILLUSTRATIVE IMAGES



COMBINATIONS WITH THE INSERTS

NOTES



LUMINAIRES WITH GLASS.
Must be replaced when cracked

This device is not suitable for pricking out.
Light source not user-replaceable.

For more information on the different architectures, solutions and functionalities available, please contact Lightenjin.

Under the general terms of the supply of our services and/or equipment, Lightenjin declines any responsibility for the use or purpose assigned to them, which are the sole and exclusive responsibility of the customer.

Lightenjin reserves the right to change the information contained in this document without prior notice.

LIGHTENJIN II - LIGHTING INDUSTRY, LDA

PARQUE EMPRESARIAL DO CASARÃO, AVENIDA DAS 2 RODAS, LOTE 36A. 3750-041 AGUADA DE CIMA | PORTUGAL
tel: +351 234 080 117 | fax: +351 234 640 064 | geral@lightenjin.pt

