

**CALIDUS** is a pendant light suitable for decorative lighting.

It accommodates LED bulbs suitable for E27 sockets, making it simple and easy to use.



**PRODUCT DESCRIPTION**

<b>Assembly</b>	Suspension;
<b>Body</b>	Spun aluminum;
<b>Application</b>	Catering areas;

**ELECTRICAL SPECIFICATIONS**

<b>Light source</b>	E27 socket bulb; (maximum recommended power - up to 250W)
<b>Class of electrical protection</b>	II ;

**STANDARDS (PRODUCTS MANUFACTURED ACCORDING TO:)**

EN 60598-1:2004

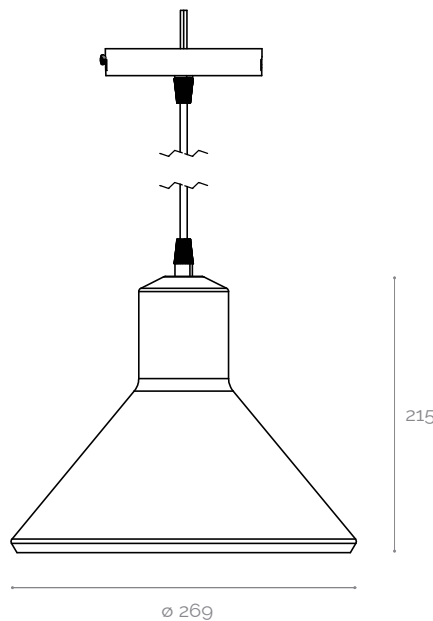
**FINISHES**

<b>Cb</b>	Brushed copper;
	Other finishes on request

**PACKAGE**

<b>Dimension</b> (mm)	330x330x500
<b>Weight</b> (Kg)	0,8

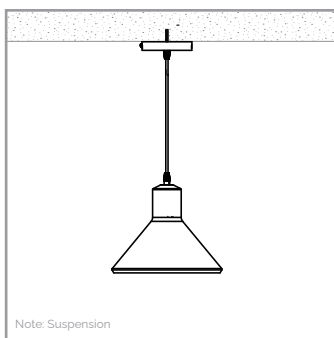
**MECHANICAL DRAWINGS (mm)**



**ORDER EXAMPLE**

PRODUCT FAMILY	SUPPORT	FINISHING	OPTIONS
CALIDUS	E27	Cb	-

**ILLUSTRATIVE IMAGES**



**NOTES**

This device is not suitable for pricking out.  
User-replaceable light source.

For more information on the different architectures, solutions and functionalities available, please contact Lightenjin.

Under the general terms of the supply of our services and/or equipment, Lightenjin declines all responsibility for the use or purpose assigned to them, which are the sole and exclusive responsibility of the customer.

Lightenjin reserves the right to change the information contained in this document without prior notice.

**LIGHTENJIN II - LIGHTING INDUSTRY, LDA**

PARQUE EMPRESARIAL DO CASARÃO, AVENIDA DAS 2 RODAS, LOTE 36A, 3750-041 AGUADA DE CIMA | PORTUGAL  
tel: +351 234 080 117 | fax: +351 234 640 064 | geral@lightenjin.pt

