

The **CITHARA** family is a range of sweeping solutions for façades, sports parks and parking lots, in private, public and commercial areas. High levels of luminous flux, energy efficiency and combined performance at a competitive cost. Simple and discreet equipment.

With LEDs with a high color rendering index (Ra>70) and a long service life (>100,000h), with different color temperatures available.

Orientable - stem rotatable from 90° to -90°.



**PRODUCT DESCRIPTION**

<b>Assembly</b>	Salient;
<b>Body</b>	Injected aluminum;
<b>Application</b>	Outdoor spaces; Commercial spaces; Public spaces; Museums; Facades;
<b>CRI</b>	Ra >70;
<b>Diffuser</b>	T - Transparent; (in tempered glass)

**ELECTRICAL SPECIFICATIONS**

<b>Max. Supply Current</b>	700 mA;
<b>Power Factor</b>	> 0,90;
<b>Class of electrical protection</b>	I;

**STANDARDS (PRODUCTS MANUFACTURED ACCORDING TO:)**

EN 60598-1:2018 + A1:2018  
EN 60598-2-5:2015

**MOUNTING HEIGHT**

Model	Height (m)
S	4-8
M	8-12
L	12-20

**PACKAGE**



Model	Dimension (mm)	Weight (Kg)
S	380x540x80	7,6
M	500x700x100	10
L	680x910x110	25

**FINISHES**

**Bk** Black (9005)

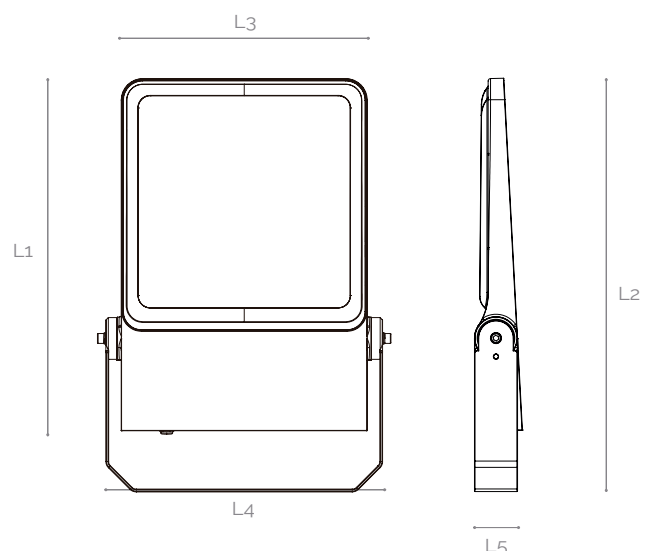
Other finishes on request

**LIGHT PROJECTION AREAS**

	S	M	L
 <b>PROJECTED SURFACE</b>	0.0241 m <sup>2</sup>	0.0359 m <sup>2</sup>	0.048 m <sup>2</sup>
 <b>PROJECTED SIDE SURFACE</b>	0.155 m <sup>2</sup>	0.229 m <sup>2</sup>	0.437 m <sup>2</sup>

**MECHANICAL DRAWINGS (mm)**

MODEL	L1 (mm)	L2 (mm)	L3 (mm)	L4 (mm)	L5 (mm)
S	440	505	295	340	60
M	570	670	400	450	70
L	767	885	567	634	89



### PHOTOMETRIC SPECIFICATIONS

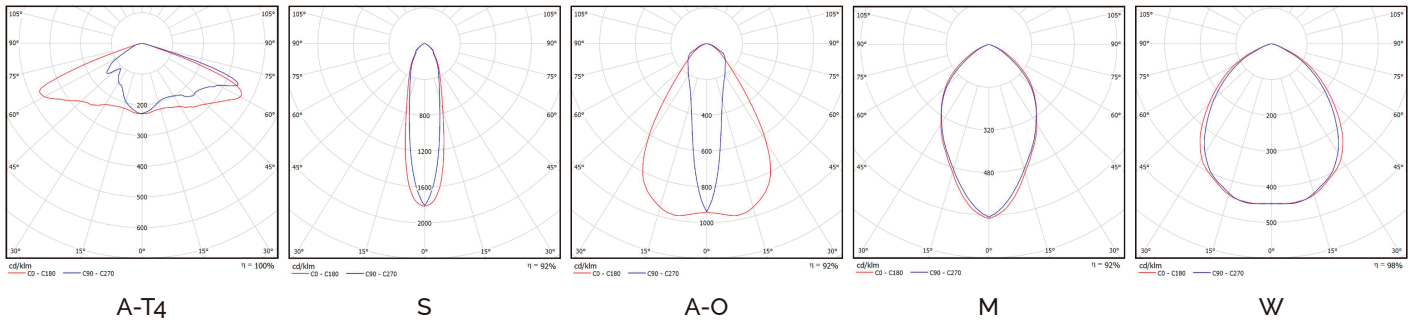
MODEL	PERFORMANCE	POWER (W)	PHOTOMETRIC CODE	LUMINOUS FLUX (lm)	SYSTEM EFFICIENCY* (lm/W)
CITHARA EVO S I (3x8)	HO	53	727	5860	111
			730	6412	121
			740	6623	125
			750	6623	125
	HE	41	727	4688	114
			730	5149	125
			740	5318	130
			750	5318	130
CITHARA EVO S I (6x8)	HO	104	727	11720	113
			730	12825	123
			740	13246	127
			750	13246	127
	HE	81	727	9376	116
			730	10298	128
			740	10636	132
			750	10636	132
CITHARA EVO S II (8x8)	HO	136	727	15627	115
			730	17100	125
			740	17661	130
			750	17661	130
	HE	108	727	12502	116
			730	13731	128
			740	14181	132
			750	14181	132
CITHARA EVO M II (12x8)	HO	202	727	23440	116
			730	25649	127
			740	26492	131
			750	26492	131
	HE	159	727	18752	118
			730	20596	130
			740	21271	134
			750	21271	134
CITHARA EVO M III (16x8)	HO	271	727	31254	115
			730	34199	126
			740	35322	130
			750	35322	130
	HE	211	727	25003	119
			730	27461	130
			740	28362	134
			750	28362	134
CITHARA EVO L I (6x32)	HO	407	727	46881	115
			730	51299	126
			740	52983	130
			750	52983	130
	HE	316	727	37505	119
			730	41192	130
			740	42542	134
			750	42542	134
CITHARA EVO L II (8x32)	HO	543	727	62508	119
			730	68398	130
			740	70645	134
			750	70645	134
	HE	422	727	50006	116
			730	54922	127
			740	56723	132
			750	56723	132

**NOTE:** Nominal values at temperature (Tp-25°) | Lens A-T4 | (°) - Normal system (without control);

The luminous flux and input power of the luminaire are indicative values valid for an ambient temperature of 25°C. The actual flux emitted by the luminaire depends on environmental conditions (e.g. temperature and pollution) and may vary according to specific configurations. The reported values are subject to the tolerances in technology.

HO - High output flux;  
HE - High efficiency;

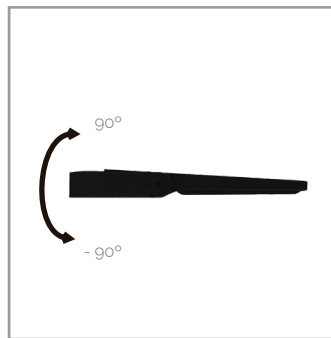
POLAR DIAGRAM



ORDER EXAMPLE

PRODUCT FAMILY	PERFORMANCE	PHOTOMETRIC CODE	LENS	DIFFUSER	FINISHING	OPTIONS
CITHARA EVO S II (8X8)	HO	730	A-O	T	Br	-

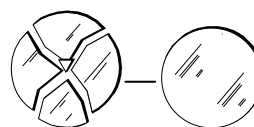
ILLUSTRATIVE IMAGES



NOTES



RISK OF ELECTRIC SHOCK



LUMINAIRES WITH GLASS. Must be replaced when cracked

This device is not suitable for pricking out.  
Light source not user-replaceable.  
Luminaire arm suitable for horizontal or vertical installation with angle of inclination (-90° to +90°).

For more information on the different architectures, solutions and functionalities available, please contact Lightenjin.  
Under the general terms of the supply of our services and/or equipment, Lightenjin declines any responsibility for the use or purpose assigned to them, which are the sole and exclusive responsibility of the customer.  
Lightenjin reserves the right to change the information contained in this document without prior notice.

LIGHTENJIN II - LIGHTING INDUSTRY, LDA

PARQUE EMPRESARIAL DO CASARÃO, AVENIDA DAS 2 RODAS, LOTE 36A. 3750-041 AGUADA DE CIMA | PORTUGAL  
tel: +351 234 080 117 | fax: +351 234 640 064 | geral@lightenjin.pt

