

**DUO** is an ideal family for accent lighting and allows the light to be directed according to the needs of each client. Its simple shape makes it discreet and elegant to use. The driver is integrated into the three-phase rail bracket, which justifies the product's small overall size.

With LEDs with a high Color Rendering Index ( $Ra > 90$ ) and a high overall luminous efficacy of between 78 and 89 lm/W. LEDs with a long service life ( $> 50,000$ h), with different color temperatures available.

Orientable.



**PRODUCT DESCRIPTION**

<b>Assembly</b>	Three-phase rail;
<b>Body</b>	Aluminum, thermolacquered in color;
<b>Box</b>	Plastic;
<b>Application</b>	Commercial spaces; Museums; Murals;
<b>CRI</b>	$Ra > 90$ ;
<b>Diffuser</b>	T - Transparent; (glass)

**ELECTRICAL SPECIFICATIONS**

<b>Max. Supply Current</b>	800 mA;
<b>Power Factor</b>	$> 0,95$ ;
<b>Class of electrical protection</b>	II ;

**STANDARDS (PRODUCTS MANUFACTURED ACCORDING TO:)**

EN 60598-1:2004

**PACKAGE**

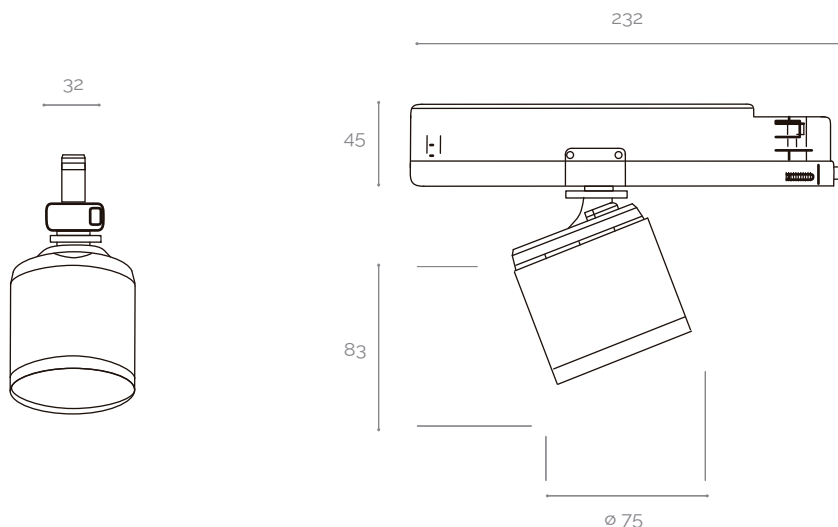
<b>Dimension (mm)</b>	320X300X160
<b>Weight (kg)</b>	0,5

**FINISHES**

<b>Wh</b>	White (RAL 9110)
<b>Bk</b>	Black (RAL 9005)

Other finishes on request

**MECHANICAL DRAWINGS (mm)**



**PHOTOMETRIC SPECIFICATIONS**

REFLECTOR	POWER (W)	PHOTOMETRIC CODE	LUMINOUS FLUX (lm)	SYSTEM EFFICIENCY* (lm/W)
S	27	930	2234	83
		935	2272	84
		940	2405	89
M	27	930	2207	82
		935	2244	83
		940	2376	88
W	27	930	2207	82
		935	2244	83
		940	2376	88
XW	27	930	2099	78
		935	2135	79
		940	2260	84

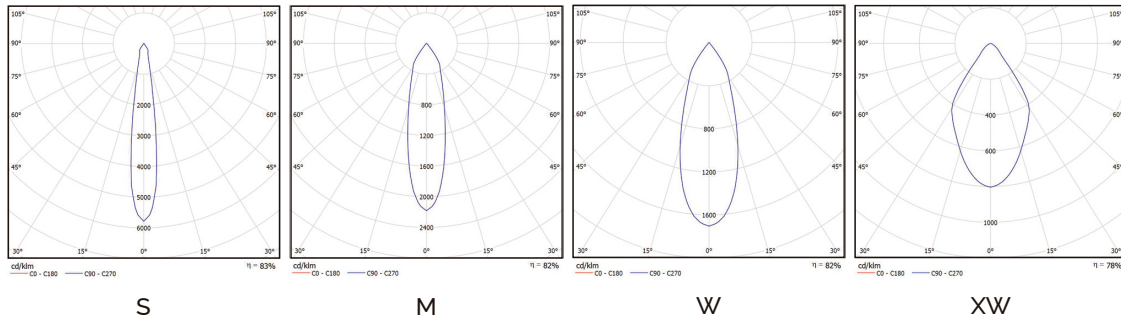
**NOTE:** Values at beam angle -82° | (°) - Normal system (without control);  
 The luminous flux and input power of the luminaire are indicative values valid for an ambient temperature of 25°C. The actual flux emitted by the luminaire depends on environmental conditions (e.g. temperature and pollution) and may vary according to specific configurations. The reported values are subject to the tolerances in technology.

**OPTIONS:**

Color temperatures available:



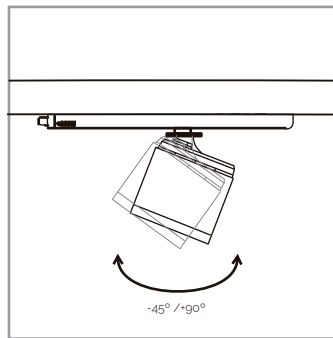
**POLAR DIAGRAM**



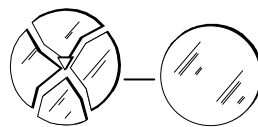
**ORDER EXAMPLE**

PRODUCT FAMILY	PHOTOMETRIC CODE	REFLECTOR	DIFFUSER	FINISHING	OPTIONS
DUO S	940	M	T	Br	-

**ILLUSTRATIVE IMAGES**



**NOTES**



LUMINAIRES WITH GLASS  
Must be replaced when cracked

This device is not suitable for pricking out.  
Light source not user-replaceable.

For more information on the different architectures, solutions and functionalities available, please contact Lightenjin.

Under the general terms of the supply of our services and/or equipment, Lightenjin declines any responsibility for the use or purpose assigned to them, which are the sole and exclusive responsibility of the customer.

Lightenjin reserves the right to change the information contained in this document without prior notice.

**LIGHTENJIN II - LIGHTING INDUSTRY, LDA**

PARQUE EMPRESARIAL DO CASARÃO, AVENIDA DAS 2 RODAS, LOTE 36A. 3750-041 AGUADA DE CIMA | PORTUGAL  
tel: +351 234 080 117 | fax: +351 234 640 064 | geral@lightenjin.pt

