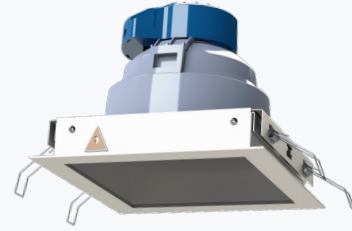


The square-shaped **ELEMENTARE Q** family is an ideal solution for general lighting in commercial and residential spaces. A lighting solution with a reduced ecological footprint.

With LEDs with a high Color Rendering Index (Ra>80) and a long service life (>50,000h), with different color temperatures available.



PRODUCT DESCRIPTION

Assembly	Encastrada;
Body	Aço polido, termolacado à cor;
Application	Espaços comerciais; Habitações;
CRI	Ra >80;
Difusor	F - Frost; T - Transparent;

ELECTRICAL SPECIFICATIONS

Power Factor	> 0,90;
Class of electrical protection	II ;

STANDARDS (PRODUCTS MANUFACTURED ACCORDING TO:)

- EN 60598-1:2004
- EN 60598-2-2:2023

PACKAGE

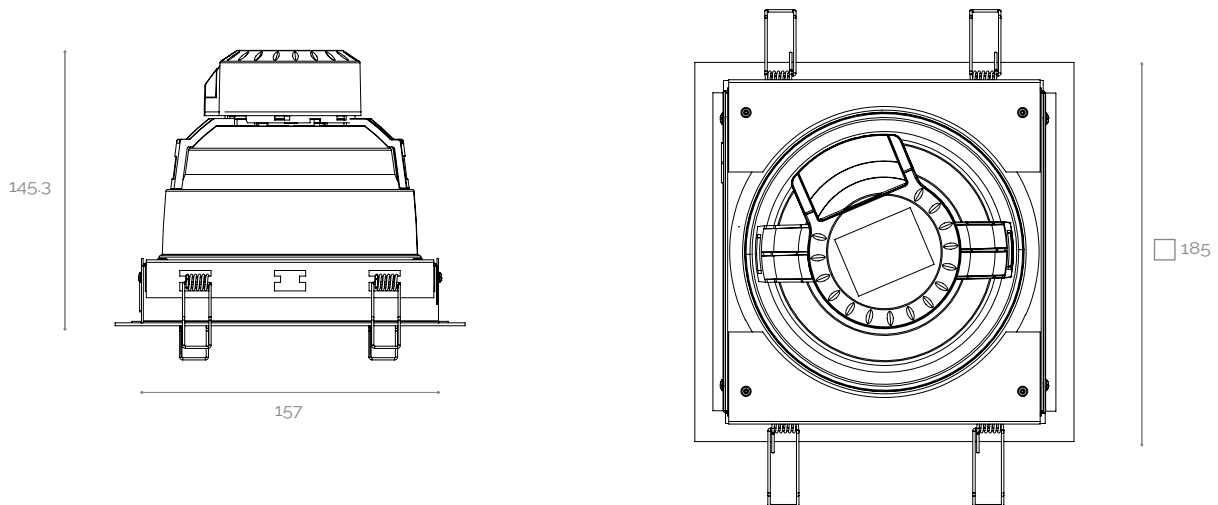
Dimension (mm)	245x200x185
Weight (kg)	1,3

FINISHES

Wh	White (RAL 9110)
Gr	Grey (RAL 7040)

Other finishes on request

MECHANICAL DRAWINGS (mm)



PHOTOMETRIC SPECIFICATIONS

REFLECTOR	GLASS	POWER (W)	PHOTOMETRIC CODE	LUMINOUS FLUX (lm)	SYSTEM EFFICIENCY* (lm/W)
M (60°)	T	20	830	1960	97
			840	2033	101
W (90°)	T	20	830	1960	97
			840	2033	101
XW (110°)	F	20	830	1615	80
			840	1681	83

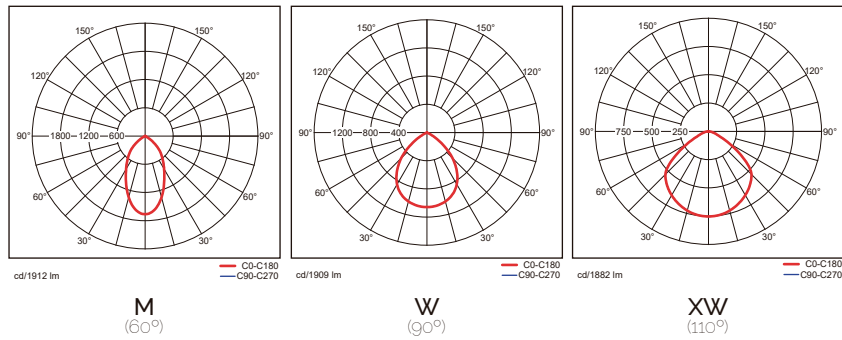
NOTE: Nominal values at temperature (Tp-65°) | (*) - Normal system (without control);

The luminaire's luminous flux and input power are indicative values valid for an ambient temperature of 25°C. The actual flux emitted by the luminaire depends on environmental conditions (e.g. temperature and pollution) and may vary according to specific configurations. The reported values are subject to the tolerances in technology.

T - Transparent glass;

F - Frosted Glass;

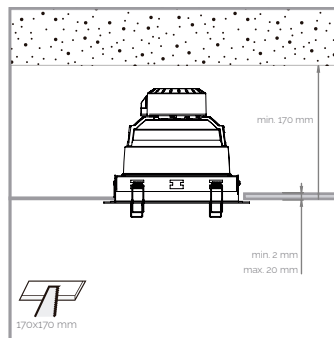
POLAR DIAGRAM



ORDER EXAMPLE

PRODUCT FAMILY	PERFORMANCE	PHOTOMETRIC CODE	LENS	DIFFUSER	ACABAMENTO	OPTIONS
ELEMENTARE Q170	HO	830	W	F	Br	-

ILLUSTRATIVE IMAGES



NOTES



THE PRODUCT MUST NOT BE COVERED WITH INSULATING OR SIMILAR MATERIAL

This device is not suitable for pricking out.
Light source not user-replaceable.

For more information on the different architectures, solutions and functionalities available, please contact Lightenjin.

Under the general terms of the supply of our services and/or equipment, Lightenjin declines any responsibility for the use or purpose assigned to them, which are the sole and exclusive responsibility of the customer.

Lightenjin reserves the right to change the information contained in this document without prior notice.

LIGHTENJIN II - LIGHTING INDUSTRY, LDA

PARQUE EMPRESARIAL DO CASARÃO, AVENIDA DAS 2 RODAS, LOTE 36A. 3750-041 AGUADA DE CIMA | PORTUGAL
tel: +351 234 080 117 | fax: +351 234 640 064 | geral@lightenjin.pt

