

The **ELEMENTARE R** family is an ideal solution for general lighting in commercial and residential spaces.

With LEDs with a high Color Rendering Index (Ra>90) and a long service life (>50,000h), with different color temperatures available.



PRODUCT DESCRIPTION

Assembly	Built-in;
Rim	Color-coated aluminum;
Application	Commercial spaces; Housing;
CRI	Ra >90;
Diffuser	O - Opaline; T - Transparent;

ELECTRICAL SPECIFICATIONS

Max. Supply Current	1200 mA;
Power Factor	> 0,98;
Protection Class	III ;
Protection	

STANDARDS (PRODUCTS MANUFACTURED ACCORDING TO:)

EN 60598-1:2004
EN 60598-2-2:2023

PACKAGE

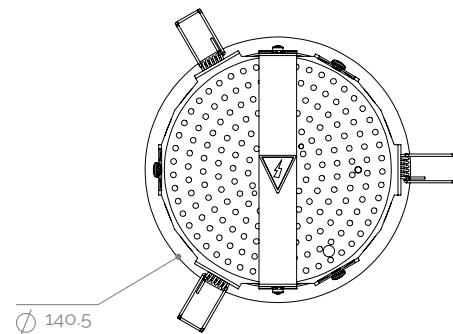
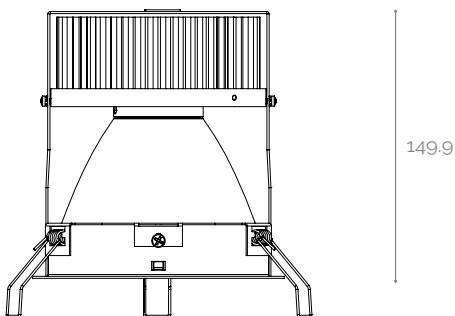
Dimension (mm)	180x195x180
Weight (kg)	1,3

FINISHES

Wh	White (RAL 9110)
Gr	Grey (RAL 7040)

Other finishes on request

MECHANICAL DRAWINGS (mm)



PHOTOMETRIC SPECIFICATIONS

LENS	PERFORMANCE	POWER (W)	PHOTOMETRIC CODE	LUMINOUS FLUX(lm)	SYSTEM EFFICIENCY* (lm/W)
S	HO	48	927	3855	80
			930	3996	83
			940	4319	90
	HE	28	927	2410	87
			930	2498	90
			940	2700	98
M	HO	48	927	3486	72
			930	3613	75
			940	3906	81
	HE	28	927	2179	79
			930	2258	82
			940	2441	88
W	HO	48	927	3445	72
			930	3571	74
			940	3860	80
	HE	28	927	2153	78
			930	2232	81
			940	2412	87
XW	HO	48	927	3814	79
			930	3954	82
			940	4273	89
	HE	28	927	2384	86
			930	2471	89
			940	2671	97

NOTE: Nominal values at temperature (Tp - 25°C) | (°) - Normal system (without control);

The luminaire's luminous flux and input power are indicative values valid for an ambient temperature of 25°C. The actual flux emitted by the luminaire depends on environmental conditions (e.g. temperature and pollution) and may vary according to specific configurations. The reported values are subject to the tolerances in technology.

HO - High output flux;

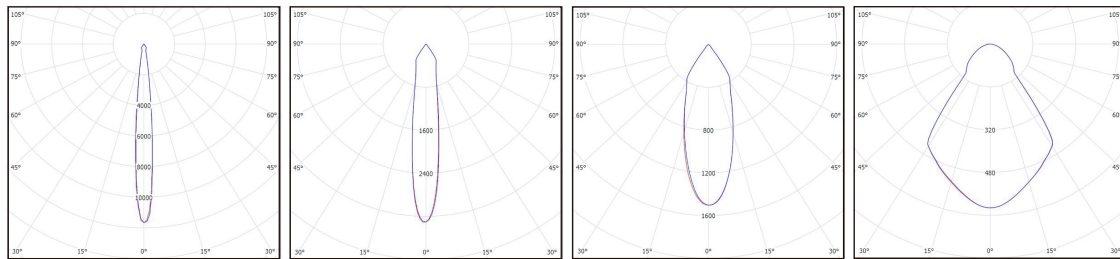
HE - High efficiency;

OPTIONS:

Color temperatures available:



POLAR DIAGRAM



S

M

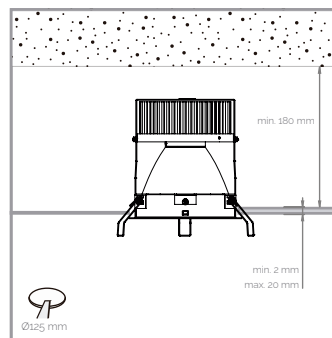
W

XW

ORDER EXAMPLE

PRODUCT FAMILY	PERFORMANCE	PHOTOMETRIC CODE	LENS	DIFUSOR	ACABAMENTO	OPTIONS
<i>ELEMENTARE R125</i>	<i>HO</i>	<i>g27</i>	<i>M</i>	<i>T</i>	<i>Br</i>	-

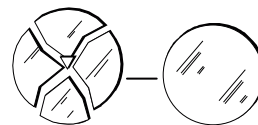
ILLUSTRATIVE IMAGES



NOTES



THE PRODUCT MUST NOT BE COVERED WITH INSULATING OR SIMILAR MATERIAL



LUMINAIRES WITH GLASS. Must be replaced when cracked

This device is not suitable for pricking out.
Light source not user-replaceable.

For more information on the different architectures, solutions and functionalities available, please contact Lightenjin.

Under the general terms of the supply of our services and/or equipment, Lightenjin declines any responsibility for the use or purpose assigned to them, which are the sole and exclusive responsibility of the customer.

Lightenjin reserves the right to change the information contained in this document without prior notice.

LIGHTENJIN II - LIGHTING INDUSTRY, LDA

PARQUE EMPRESARIAL DO CASARÃO, AVENIDA DAS 2 RODAS, LOTE 36A. 3750-041 AGUADA DE CIMA | PORTUGAL
tel: +351 234 080 117 | fax: +351 234 640 064 | geral@lightenjin.pt

