

The **ELEMENTARE R** family is an ideal solution for general lighting in commercial and residential spaces.

With LEDs with a high Color Rendering Index (Ra>90) and a long service life (>50,000h), with different color temperatures available.



**PRODUCT DESCRIPTION**

<b>Assembly</b>	Built-in;
<b>Rim</b>	Color-coated aluminum;
<b>Application</b>	Commercial spaces; Housing;
<b>CRI</b>	Ra >90;
<b>Diffuser</b>	F - Frost; T - Transparent;

**ELECTRICAL SPECIFICATIONS**

<b>Max. Supply Current</b>	500 mA;
<b>Power Factor</b>	> 0,95;
<b>Protection Class</b>	III ;
<b>Protection</b>	

**STANDARDS (PRODUCTS MANUFACTURED ACCORDING TO:)**

EN 60598-1:2004  
EN 60598-2-2:2023

**PACKAGE**

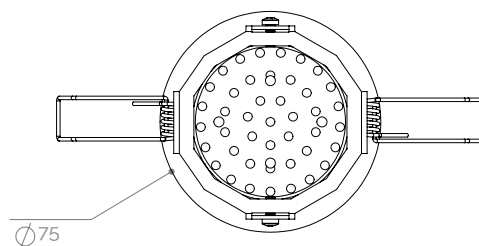
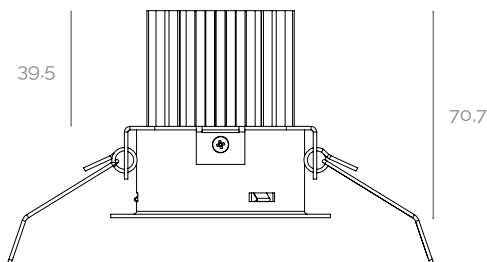
<b>Dimension</b> (mm)	245x200x185
<b>Weight</b> (kg)	0.354

**FINISHES**

<b>Wh</b>	White (RAL 9110)
<b>Gr</b>	Grey (RAL 7040)

Other finishes on request

**MECHANICAL DRAWINGS (mm)**



PHOTOMETRIC SPECIFICATIONS

REFLECTOR	PERFORMANCE	POWER (W)	PHOTOMETRIC CODE	LUMINOUS FLUX (lm)	SYSTEM EFFICIENCY* (lm/W)
S	HO	21	927	1538	74
			930	1590	77
			940	1724	83
	HE	14	927	1096	77
			930	1133	80
			940	1228	86
M	HO	21	927	1521	73
			930	1572	76
			940	1704	82
	HE	14	927	1084	76
			930	1120	79
			940	1214	85
W	HO	21	927	1538	74
			930	1590	77
			940	1724	83
	HE	14	927	1096	77
			930	1133	80
			940	1228	86
XW	HO	21	927	1418	68
			930	1466	71
			940	1590	77
	HE	14	927	1011	71
			930	1045	73
			940	1133	80

**NOTE:** Nominal values for the reflector - XW | Beam angle 72° | Transparent diffuser | (°) - Normal system (without control);  
 The luminous flux and input power of the luminaire are indicative values valid for an ambient temperature of 25°C. The actual flux emitted by the luminaire depends on environmental conditions (e.g. temperature and pollution) and may vary according to specific configurations. The reported values are subject to the tolerances in technology.

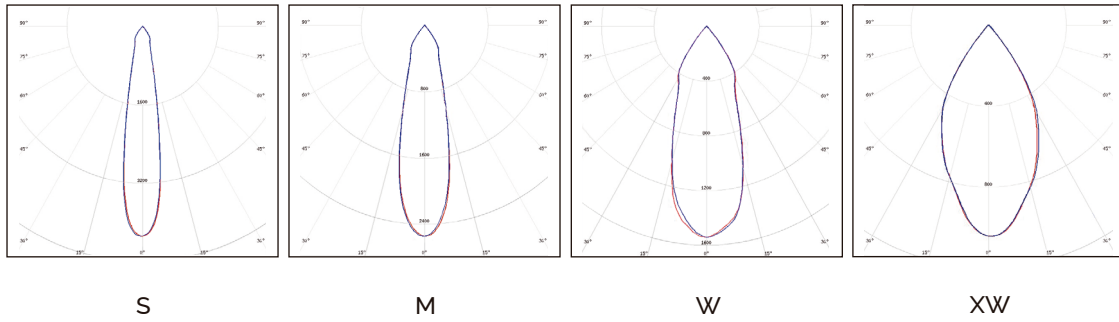
HO - High output flux;  
 HE - High efficiency;

OPTIONS:

Color temperatures available:



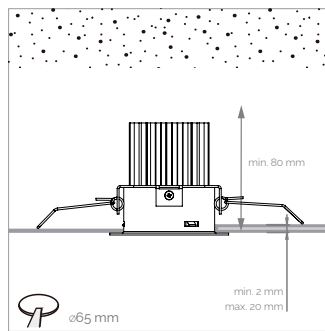
**POLAR DIAGRAM**



**ORDER EXAMPLE**

PRODUCT FAMILY	PERFORMANCE	PHOTOMETRIC CODE	REFLECTOR	DIFFUSER	FINISHING	OPTIONS
ELEMENTARE R60	HO	g27	M	T	Br	-

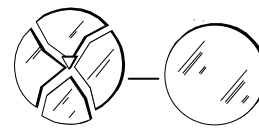
**ILLUSTRATIVE IMAGES**



**NOTES**



THE PRODUCT MUST NOT BE COVERED WITH INSULATING OR SIMILAR MATERIAL



LUMINAIRES WITH GLASS. Must be replaced when cracked

This device is not suitable for pricking out.  
Light source not user-replaceable.

For more information on the different architectures, solutions and functionalities available, please contact Lightenjin.

Under the general terms of the supply of our services and/or equipment, Lightenjin declines any responsibility for the use or purpose assigned to them, which are the sole and exclusive responsibility of the customer.

Lightenjin reserves the right to change the information contained in this document without prior notice.

**LIGHTENJIN II - LIGHTING INDUSTRY, LDA**

PARQUE EMPRESARIAL DO CASARÃO, AVENIDA DAS 2 RODAS, LOTE 36A. 3750-041 AGUADA DE CIMA | PORTUGAL  
tel: +351 234 080 117 | fax: +351 234 640 064 | geral@lightenjin.pt

