

The **ELEMENTARE R** family is an ideal solution for general lighting in commercial and residential spaces.

With LEDs with a high Color Rendering Index (Ra>90) and a long service life (>50,000h), with different color temperatures available.



PRODUCT DESCRIPTION

| | |
|----------------------|--------------------------------|
| Mounting Type | Wall mounted; |
| Rim | Color-coated aluminum; |
| Application | Commercial spaces; Housing; |
| CRI | Ra >90; |

ELECTRICAL SPECIFICATIONS

| | |
|---------------------------------|---------|
| Max. Power supply output | 350 mA; |
| Power Factor | > 0,90; |
| Protection class | III ; |

STANDARDS (PRODUCTS MANUFACTURED ACCORDING TO:)

EN 60598-1:2004
EN 60598-2-2:2023

FINISHES

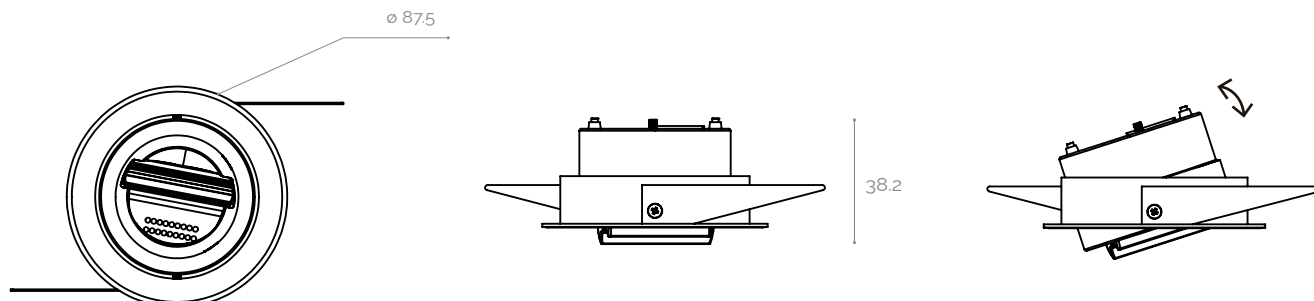
| | |
|-----------|------------------|
| Wh | White (RAL 9110) |
| Gr | Grey (RAL 7040) |

Other finishes on request

PACKAGE

| | |
|-----------------------|-------------|
| Dimension (mm) | 245x200x185 |
| Weight (kg) | 0.596 |

MECHANICAL DRAWINGS (mm)



PHOTOMETRIC SPECIFICATIONS

| LENS | PERFORMANCE | POWER (W) | PHOTOMETRIC CODE | LUMINOUS FLUX (lm) | SYSTEM EFFICIENCY* (lm/W) |
|------|-------------|-----------|------------------|--------------------|---------------------------|
| S | HO | 14 | 927 | 1178 | 83 |
| | | | 930 | 1218 | 85 |
| | | | 940 | 1320 | 93 |
| | HE | 10 | 927 | 878 | 88 |
| | | | 930 | 908 | 91 |
| | | | 940 | 984 | 98 |
| M | HO | 14 | 927 | 1218 | 85 |
| | | | 930 | 1259 | 88 |
| | | | 940 | 1364 | 96 |
| | HE | 10 | 927 | 908 | 91 |
| | | | 930 | 938 | 94 |
| | | | 940 | 1017 | 102 |
| W | HO | 14 | 927 | 1218 | 85 |
| | | | 930 | 1259 | 88 |
| | | | 940 | 1364 | 96 |
| | HE | 10 | 927 | 908 | 91 |
| | | | 930 | 938 | 94 |
| | | | 940 | 1017 | 102 |
| XW | HO | 14 | 927 | 1178 | 83 |
| | | | 930 | 1218 | 85 |
| | | | 940 | 1320 | 93 |
| | HE | 10 | 927 | 878 | 88 |
| | | | 930 | 908 | 91 |
| | | | 940 | 984 | 98 |
| AS | HO | 14 | 927 | 1218 | 85 |
| | | | 930 | 1259 | 88 |
| | | | 940 | 1364 | 96 |
| | HE | 10 | 927 | 908 | 91 |
| | | | 930 | 938 | 94 |
| | | | 940 | 1017 | 102 |
| DA | HO | 14 | 927 | 1204 | 85 |
| | | | 930 | 1245 | 87 |
| | | | 940 | 1350 | 95 |
| | HE | 10 | 927 | 898 | 90 |
| | | | 930 | 928 | 93 |
| | | | 940 | 1006 | 101 |
| O | HO | 14 | 927 | 1204 | 85 |
| | | | 930 | 1245 | 87 |
| | | | 940 | 1350 | 95 |
| | HE | 10 | 927 | 989 | 90 |
| | | | 930 | 928 | 93 |
| | | | 940 | 1006 | 101 |

NOTE: Nominal values at temperature (T_p - 25°C) | (*) - Normal system (without control);

The luminaire's luminous flux and input power are indicative values valid for an ambient temperature of 25°C. The actual flux emitted by the luminaire depends on environmental conditions (e.g. temperature and pollution) and may vary according to specific configurations. The reported values are subject to the tolerances in technology.

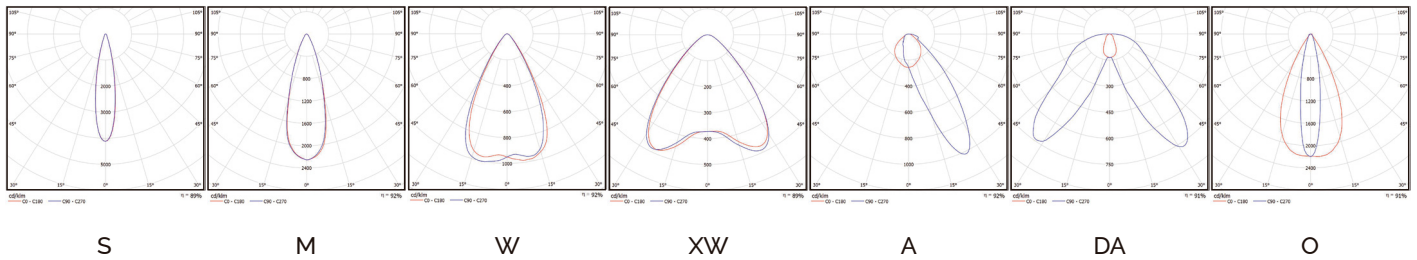
HO - High output flux;
HE - High efficiency;

OPTIONS:

Color temperatures available:



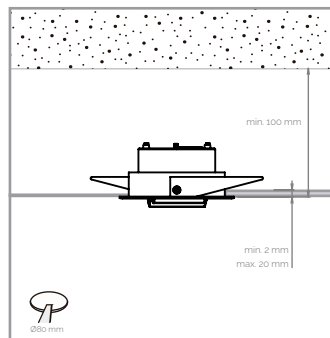
POLAR DIAGRAM



ORDER EXAMPLE

| PRODUCT FAMILY | PERFORMANCE | PHOTOMETRIC CODE | LENS | FINISHING | OPTIONS |
|----------------|-------------|------------------|------|-----------|---------|
| ELEMENTARE R80 | HO | 927 | A | Br | - |

ILLUSTRATIVE IMAGES



NOTES



THE PRODUCT MUST NOT BE COVERED WITH INSULATING OR SIMILAR MATERIAL

This device is not suitable for pricking out.
Light source not user-replaceable.

For more information on the different architectures, solutions and functionalities available, please contact Lightenjin.

Under the general terms of the supply of our services and/or equipment, Lightenjin declines any responsibility for the use or purpose assigned to them, which are the sole and exclusive responsibility of the customer.

Lightenjin reserves the right to change the information contained in this document without prior notice.

LIGHTENJIN II - LIGHTING INDUSTRY, LDA

PARQUE EMPRESARIAL DO CASARÃO, AVENIDA DAS 2 RODAS, LOTE 36A. 3750-041 AGUADA DE CIMA | PORTUGAL
tel: +351 234 080 117 | fax: +351 234 640 064 | geral@lightenjin.pt

