

**GYRUS** is an industrial luminaire for use in high ceilings; it has a compact and robust geometric shape;

With LEDs with a high color rendering index (Ra>70) and a high overall luminous efficacy of between 125 and 143 lm/W. LEDs with a long service life (>100,000h), with different color temperatures available.



**PRODUCT DESCRIPTION**

<b>Assembly</b>	Suspended;
<b>Body</b>	Aluminum, injected;
<b>Application</b>	Industrial spaces; Industrial warehouses; Areas with high ceilings; Transport stations;
<b>CRI</b>	Ra >70;
<b>Diffuser</b>	T - Transparent; (in tempered glass)
<b>Operating temperature</b>	-40°C to +55°C;

**ELECTRICAL SPECIFICATIONS**

<b>Max. Supply Current</b>	700 mA;
<b>Power Factor</b>	> 0,90;
<b>Class of electrical protection</b>	I;

**STANDARDS (PRODUCTS MANUFACTURED ACCORDING TO:)**

EN 60598-1:2004  
EN 60598-2-3:2003 + A1:2011

**PACKAGE**

<b>Dimension (mm)</b>	460x460x180
<b>Weight (Kg)</b>	6,7

**FINISHES**

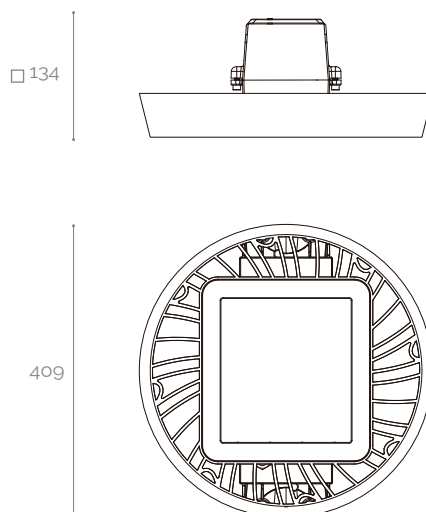
**Pt** Black (RAL 9005)

Other finishes on request

**PRODUCT OPTIONS**

DALI control system;

**MECHANICAL DRAWINGS (mm)**



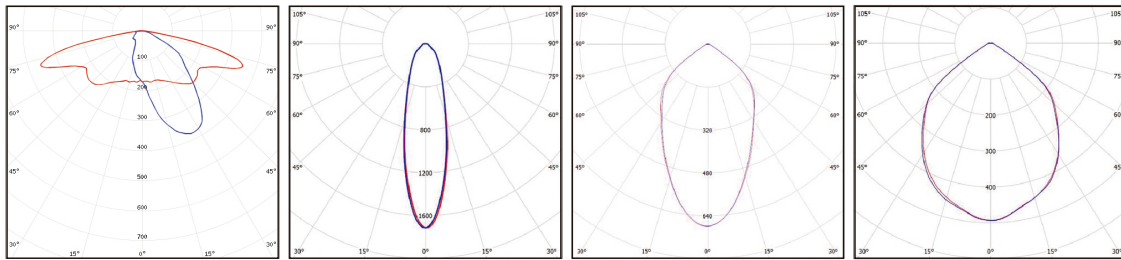
**PHOTOMETRIC SPECIFICATIONS**

REFLECTOR	PERFORMANCE	POWER (W)	PHOTOMETRIC CODE	LUMINOUS FLUX (lm)	SYSTEM EFFICIENCY* (lm/W)
GYRUS M I (4x8)	HO	70	730	8836	125
			740	9126	130
			750	9126	130
			757	9416	134
	HE	55	730	7095	130
			740	7328	134
			750	7328	134
			757	7563	138
GYRUS M II (4x16)	HO	136	730	17672	130
			740	18252	134
			750	18252	134
			757	18832	138
	HE	108	730	14190	131
			740	14655	135
			750	14655	135
			757	15126	140
GYRUS M III (6x16)	HO	202	730	26508	131
			740	27378	135
			750	27378	135
			757	28249	140
	HE	159	730	21285	134
			740	21983	138
			750	21983	138
			757	22589	143

**NOTE:** Nominal values at temperature (Tp=25°C | Transparent diffuser | (\*) - Normal system (without control);  
The luminous flux and input power of the luminaire are indicative values valid for an ambient temperature of 25°C. The actual flux emitted by the luminaire depends on environmental conditions (e.g. temperature and pollution) and may vary according to specific configurations. The reported values are subject to the tolerances in technology.

HO - High output flux;  
HE - High efficiency;

**POLAR DIAGRAM**



**T2-A**  
16 LEDs

**S**  
8/16 LEDs

**M**  
8/16 LEDs

**W**  
8/16 LEDs

**NOTE:** Type S, M and W diagrams available for optical groups accommodating 8 LEDs; | Type T2-A available for optical groups accommodating 16 LEDs;

**ORDER EXAMPLE**

PRODUCT FAMILY	PERFORMANCE	PHOTOMETRIC CODE	REFLECTOR	DIFFUSER	FINISHING	OPTIONS
GYRUS M II (4x16)	HO	740	S	T	Pt	c/ difusor (sob consulta)

**NOTES**



RISK OF  
ELECTRIC SHOCK

This device is not suitable for pricking out.  
Light source not user-replaceable.

For more information on the different architectures, solutions and functionalities available, please contact Lightenjin.

Under the general terms of the supply of our services and/or equipment, Lightenjin declines any responsibility for the use or purpose assigned to them, which are the sole and exclusive responsibility of the customer.

Lightenjin reserves the right to change the information contained in this document without prior notice.

**LIGHTENJIN II - LIGHTING INDUSTRY, LDA**

PARQUE EMPRESARIAL DO CASARÃO, AVENIDA DAS 2 RODAS, LOTE 36A. 3750-041 AGUADA DE CIMA | PORTUGAL  
tel: +351 234 080 117 | fax: +351 234 640 064 | geral@lightenjin.pt

