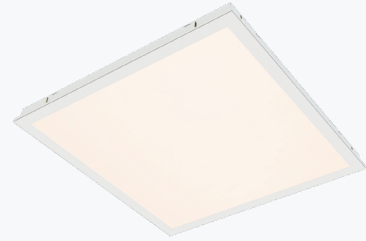


**OPUS** is a range of products specially designed for buildings and offices. A versatile range that can be easily adapted to the different requirements of each space, from the point of view of its geometry, application and possible diffusers.

With LEDs with a high Color Rendering Index (Ra>80) and a high overall luminous efficacy of between 106 and 137 lm/W. LEDs with a long service life (>50,000h), with different color temperatures available.



**PRODUCT DESCRIPTION**

<b>Assembly</b>	Built-in;
<b>Body</b>	Mild steel sheet, thermolacquered in color;
<b>Application</b>	Commercial spaces; Offices; Conference rooms;
<b>CRI</b>	Ra >80;
<b>Diffuser</b>	O- Opaline; (optional)

**ELECTRICAL SPECIFICATIONS**

<b>Max. Supply Current</b>	700 mA;
<b>Power Factor</b>	> 0,90;
<b>Class of electrical protection</b>	I;

**STANDARDS (PRODUCTS MANUFACTURED ACCORDING TO:)**

EN 60598-1:2004  
 EN 60598-2-2:2012

**FINISHES**

<b>Wh</b>	White (RAL 9003)
-----------	------------------

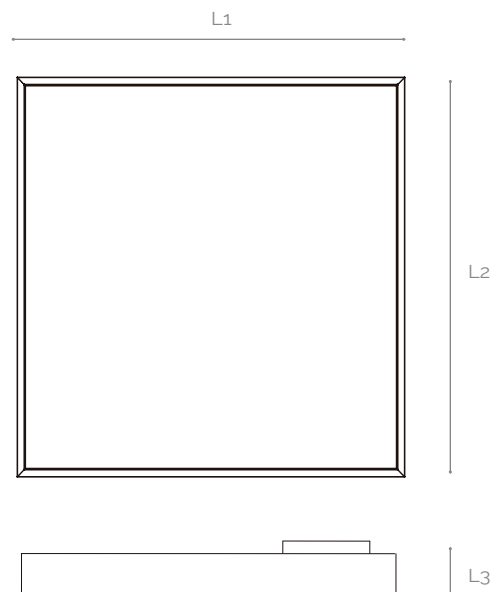
Other finishes on request

**PACKAGE**

Model	Dimension (mm)	Weight (Kg)
100x1200	160x1200x110	2.2
100x1500	160x1500x110	2.8
300x300	310x310x110	2.3
300x600	360x600x60	4.2
300x1200	300x1200x60	5.2
300x1500	300x1500x60	6.4
600x600	610x610x100	4.8

**MECHANICAL DRAWINGS (mm)**

MODEL	L1 (mm)	L2 (mm)	L3 (mm)	CEILING HOLE (mm)
100x1200	110	148	65	85x1130
100x1500	110	1430	65	85x1415
300x300	297	297	85	280x280
300x600	297	597	85	280x580
300x1200	297	1100	85	280x1185
300x1500	597	1497	85	280x1480
600x600	597	597	85	580x580



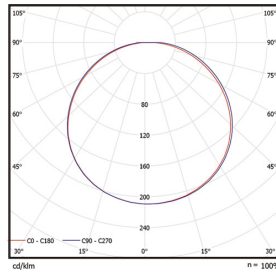
PHOTOMETRIC SPECIFICATIONS

MODEL	PERFORMANCE	POWER (W)	PHOTOMETRIC CODE	LUMINOUS FLUX (lm)	SYSTEM EFFICIENCY* (lm/W)
100x1200	HO	42	827	4945	119
			830	5166	124
			840	5461	132
			850	5461	132
	HE	30	827	3666	123
			830	3830	128
			840	4049	136
			850	4049	136
100x1500	HO	51	827	6181	120
			830	6458	126
			840	6827	133
			850	6827	133
	HE	37	827	4583	124
			830	4788	130
			840	5062	137
			850	5062	137
300x300	HO	15	830	1688	115
			840	1748	120
			850	1763	121
	HE	10	830	1050	110
			840	1088	114
			850	1095	115
300x600	HO	29	830	3093	106
			840	3238	111
			850	3280	112
	HE	17	830	1833	111
			840	1919	116
			850	1944	117
300x1200	HO	56	830	6186	111
			840	6476	116
			850	6560	118
	HE	30	830	3666	121
			840	3838	127
			850	3888	129
300x1500	HO	82	830	9279	113
			840	9713	119
			850	9839	120
	HE	45	830	5500	121
			840	5757	127
			850	5832	129
600x600	HO	56	830	6186	111
			840	6476	116
			850	6560	118
	HE	30	830	3666	121
			840	3838	127
			850	3888	129

**NOTE:** Nominal values at temperature (Tp - 25°C) | Opal diffuser | (\*) - Normal system (without control);  
 The luminous flux and input power of the luminaire are indicative values valid for an ambient temperature of 25°C. The actual flux emitted by the luminaire depends on environmental conditions (e.g. temperature and pollution) and may vary according to specific configurations. The reported values are subject to the tolerances in technology.

HO - High output flux;  
 HE - High efficiency;

**POLAR DIAGRAM**

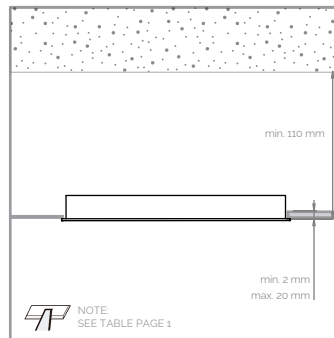


O

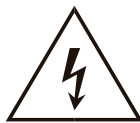
**ORDER EXAMPLE**

PRODUCT FAMILY	PERFORMANCE	PHOTOMETRIC CODE	DIFFUSER	FINISHING	OPTIONS
OPUS E O (600x600)	HO	840	O	Br	-

**ILLUSTRATIVE IMAGES**



**NOTES**



RISK OF  
ELECTRIC SHOCK



THE PRODUCT MUST NOT BE COVERED  
WITH INSULATING OR SIMILAR MATERIAL

This device is not suitable for pricking out.  
 Light source not user-replaceable.  
 Power cable must be at least 3G1 type H05RN-F.

For more information on the different architectures, solutions and functionalities available, please contact Lightenjin.  
 Under the general terms of the supply of our services and/or equipment, Lightenjin declines any responsibility for the use or purpose assigned to them, which are the sole and exclusive responsibility of the customer.  
 Lightenjin reserves the right to change the information contained in this document without prior notice.

**LIGHTENJIN II - LIGHTING INDUSTRY, LDA**

PARQUE EMPRESARIAL DO CASARÃO, AVENIDA DAS 2 RODAS, LOTE 36A. 3750-041 AGUADA DE CIMA | PORTUGAL  
 tel: +351 234 080 117 | fax: +351 234 640 064 | geral@lightenjin.pt

