

The **ORBIS R** family is a solution especially for domestic spaces - elegant design, easy integration and simplicity through a lighting fixture without compromising its efficiency and light output. The recessed finishing frame guarantees a lower chain than conventional solutions.

With LEDs with a high color rendering index (Ra>90) and a long service life (>50,000h), with different color temperatures available.



PRODUCT DESCRIPTION

Mounting Type	Recessed;
Rim	Color-coated aluminum;
Application	Espaços comerciais; Zonas de exposição; Habitações;
CRI	Ra >90;
Diffuser	F - Frost; T - Transparent;

ELECTRICAL SPECIFICATIONS

Max. Power supply output	900 mA;
Power Factor	> 0,95;
Protection class	III ;

STANDARDS (PRODUCTS MANUFACTURED ACCORDING TO:)

EN 60598-1:2004
EN 60598-2-2:2023

PACKAGE

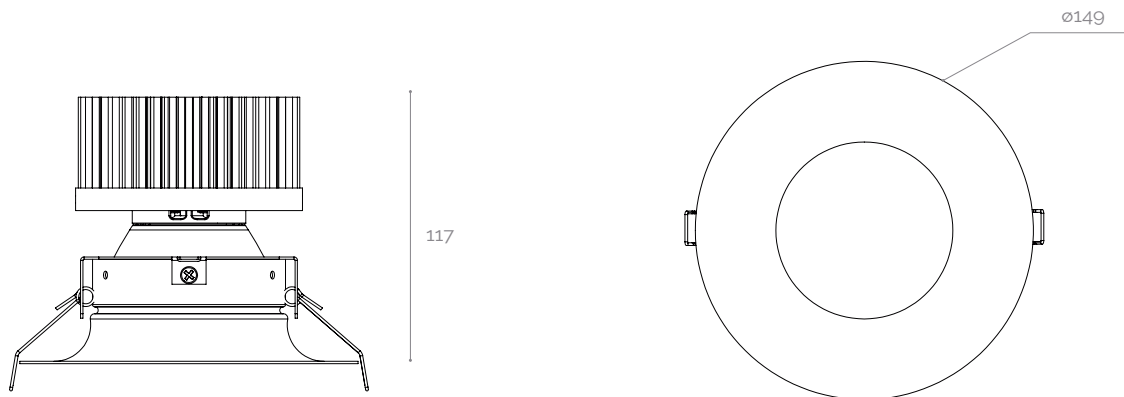
Dimension (mm)	320x300x160
Weight (kg)	0.80

FINISHES

Wh	White (RAL 9110)
Gr	Grey (RAL 7040)

Different finishes upon request

MECHANICAL DRAWINGS (mm)



PHOTOMETRIC SPECIFICATIONS

REFLECTOR	PERFORMANCE	POWER (W)	PHOTOMETRIC CODE	LUMINOUS FLUX(lm)	SYSTEM EFFICIENCY* (lm/W)
XW ⁽¹⁾	HO	36	927	3078	86
			930	3190	89
			940	3448	96
	HE	28	927	2462	89
			930	2552	92
			940	2758	100

NOTE: VNominal values for the reflector - XW | Beam angle 72° | Transparent diffuser | (*) - Normal system (without control);
 The luminous flux and input power of the luminaire are indicative values valid for an ambient temperature of 25°C. The actual flux emitted by the luminaire depends on environmental conditions (e.g. temperature and pollution) and may vary according to specific configurations. The reported values are subject to the tolerances in technology.

HO - High output flux;
 HE - High efficiency;

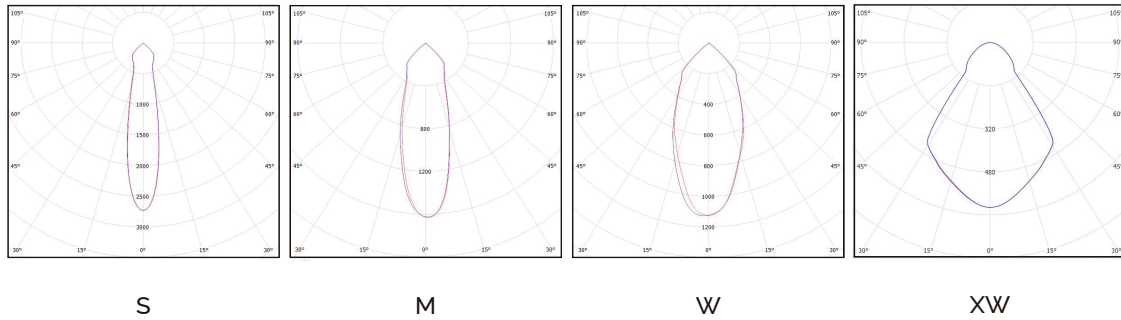
(1) For more technical specifications on other reflectors, please contact us.

OPTIONS:

Color temperatures available:



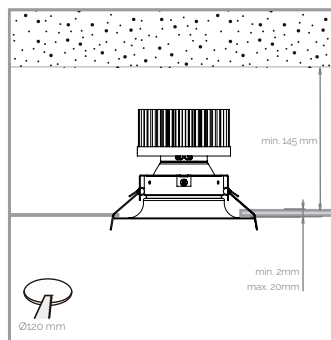
POLAR DIAGRAM



ORDER EXAMPLE

PRODUCT FAMILY	PERFORMANCE	PHOTOMETRIC CODE	LENS	DIFFUSER	FINISHING	OPTIONS
<i>ORBIS R120</i>	<i>HO</i>	<i>g27</i>	<i>M</i>	<i>T</i>	<i>Br</i>	-

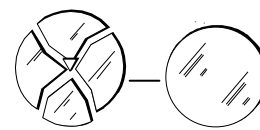
ILLUSTRATIVE IMAGES



NOTES



THE PRODUCT MUST NOT BE COVERED WITH INSULATING OR SIMILAR MATERIAL



LUMINAIRES WITH GLASS. Must be replaced when cracked

This device is not suitable for pricking out.
Light source not user-replaceable.

For more information on the different architectures, solutions and functionalities available, please contact Lightenjin.

Under the general terms of the supply of our services and/or equipment, Lightenjin declines any responsibility for the use or purpose assigned to them, which are the sole and exclusive responsibility of the customer.

Lightenjin reserves the right to change the information contained in this document without prior notice.

LIGHTENJIN II - LIGHTING INDUSTRY, LDA

PARQUE EMPRESARIAL DO CASARÃO, AVENIDA DAS 2 RODAS, LOTE 36A. 3750-041 AGUADA DE CIMA | PORTUGAL
tel: +351 234 080 117 | fax: +351 234 640 064 | geral@lightenjin.pt

