

The **ORBIS R** family is a solution especially for domestic spaces - elegant design, easy integration and simplicity through a lighting fixture without compromising its efficiency and light output. The recessed finishing frame guarantees a lower chain than conventional solutions.

With LEDs with a high color rendering index (Ra>80) and a long service life (>30 000h), with different color temperatures available.



**PRODUCT DESCRIPTION**

<b>Mounting Type</b>	Recessed;
<b>Rim</b>	Color-coated aluminum;
<b>Application</b>	Commercial spaces; Housing;
<b>CRI</b>	Ra >80;
<b>Diffuser</b>	F - Frosted; T - Transparent;

**ELECTRICAL SPECIFICATIONS**

<b>Power Factor</b>	> 0,90;
<b>Protection class</b>	II ;

**STANDARDS (PRODUCTS MANUFACTURED ACCORDING TO:)**

EN 60598-1:2004  
EN 60598-2-2:2023

**PACKAGE**

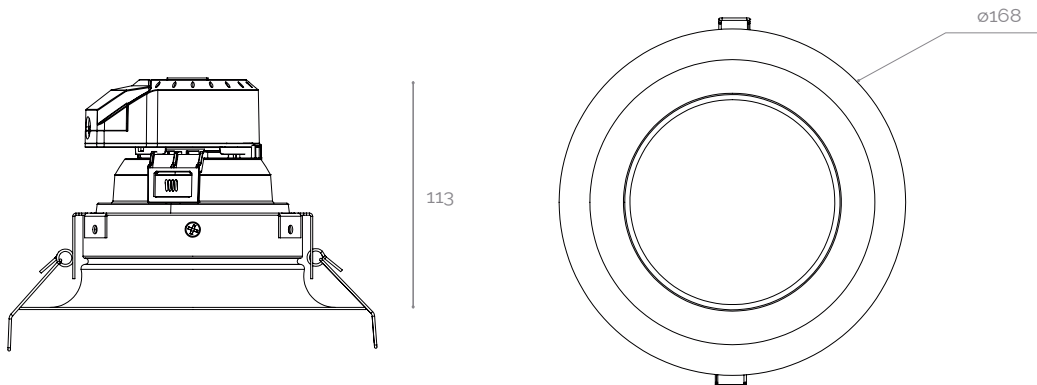
<b>Dimension (mm)</b>	320x300x160
<b>Weight (kg)</b>	0.80

**FINISHES**

<b>Wh</b>	White (RAL 9110)
<b>Gr</b>	Grey (RAL 7040)

Different finishes upon request

**MECHANICAL DRAWINGS (mm)**



**PHOTOMETRIC SPECIFICATIONS**

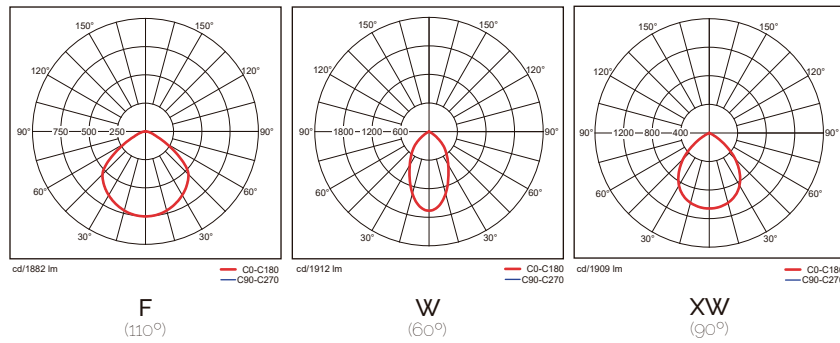
REFLECTOR	DIFFUSER (vidro)	POWER (W)	PHOTOMETRIC CODE	LUMINOUS FLUX (lm)	SYSTEM EFFICIENCY* (lm/W)
F <sup>(1)</sup> (110°)	F	10	830	804	86
			840	845	89
W (60°)	T	10	830	996	96
			840	1043	89
XW (90°)	T	10	830	996	92
			840	1043	100

**NOTE:** Nominal values at temperature (Tp - 65°C | (\*) - Normal system (without control);  
 The luminaire's luminous flux and input power are indicative values valid for an ambient temperature of 25°C. The actual flux emitted by the luminaire depends on environmental conditions (e.g. temperature and pollution) and may vary according to specific configurations. The reported values are subject to technological tolerances.

F - Diffuser with frosted glass;  
 T - Diffuser with transparent glass;

(1) WITHOUT Reflector (Polar diagram relative to the light source).

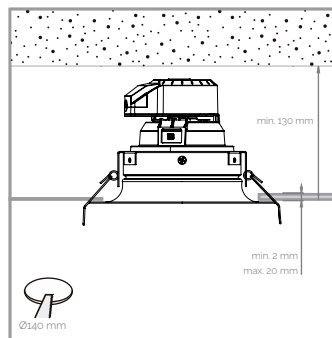
**POLAR DIAGRAM**



**ORDER EXAMPLE**

PRODUCT FAMILY	PHOTOMETRIC CODE	LENS	DIFFUSER	FINISHING	OPTIONS
ORBIS R140	840	W	T	Br	-

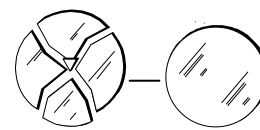
**ILLUSTRATIVE IMAGES**



**NOTES**



THE PRODUCT MUST NOT BE COVERED WITH INSULATING OR SIMILAR MATERIAL



LUMINAIRES WITH GLASS. Must be replaced when cracked

This device is not suitable for pricking out.  
Light source not user-replaceable.

For more information on the different architectures, solutions and functionalities available, please contact Lightenjin.

Under the general terms of the supply of our services and/or equipment, Lightenjin declines any responsibility for the use or purpose assigned to them, which are the sole and exclusive responsibility of the customer.

Lightenjin reserves the right to change the information contained in this document without prior notice.

**LIGHTENJIN II - LIGHTING INDUSTRY, LDA**

PARQUE EMPRESARIAL DO CASARÃO, AVENIDA DAS 2 RODAS, LOTE 36A. 3750-041 AGUADA DE CIMA | PORTUGAL  
tel: +351 234 080 117 | fax: +351 234 640 064 | geral@lightenjin.pt

