

The **PHARUS LED** "pepper shaker" is a device for lighting small pedestrian thoroughfares. Compact and elegant, it offers a 360° range of illumination and high visual comfort, thanks to the anti-glare grid, which directs the light emitted onto the floor.

Simple and practical to use, it accepts E27 bulbs.



**PRODUCT DESCRIPTION**

|                     |  |
|---------------------|--|
| <b>Assembly</b>     | Salient;   |
| <b>Body</b>         | Aluminum, corrosion resistant;                         |
| <b>Fixing plate</b> | Stainless steel;                                       |
| <b>Application</b>  | Squares;<br>Parks;<br>Residential streets;<br>Gardens; |
| <b>CRI</b>          | Ra>80;   |
| <b>Diffuser</b>     | F - Frosted;   |

**ELECTRICAL SPECIFICATIONS**

|                                       |         |
|---------------------------------------|---------|
| <b>Power Factor</b>                   | > 0.90; |
| <b>Class of electrical protection</b> | I;      |

**STANDARDS (PRODUCTS MANUFACTURED ACCORDING TO:)**

- EN 60598-1:2004
- EN 60598-2-3:2003

**FINISHES**

|    |                 |
|----|-----------------|
| St | Stainless steel |
|----|-----------------|

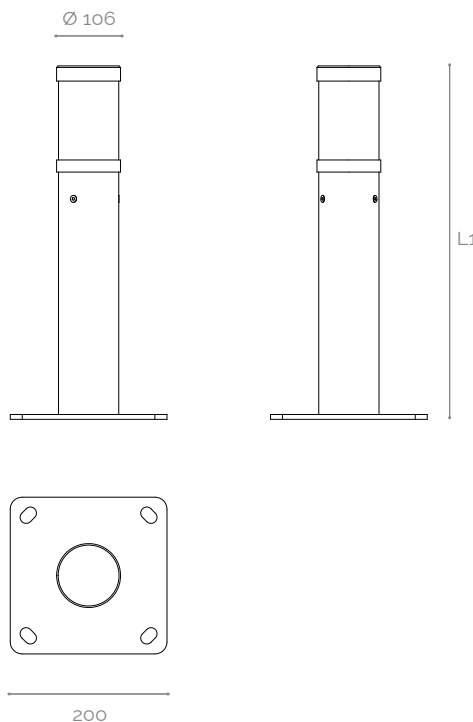
Other finishes on request

**PACKAGE**

|                       |              |
|-----------------------|--------------|
| <b>Dimension (mm)</b> | 1100x300x250 |
| <b>Weight (Kg)</b>    | 7.4          |

**MECHANICAL DRAWINGS (mm)**

|                |
|----------------|
| <b>L1 (mm)</b> |
| 600            |
| 1100           |



**PHOTOMETRIC SPECIFICATIONS**

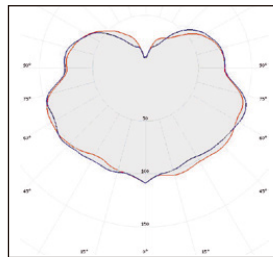
| MODEL  | PERFORMANCE | POWER (W) | PHOTOMETRIC CODE | LUMINOUS FLUX (lm) | SYSTEM EFFICIENCY* (lm/W) |
|--------|-------------|-----------|------------------|--------------------|---------------------------|
| PHARUS | HO          | 15        | 830              | 2319               | 158                       |
|        |             |           | 840              | 2412               | 164                       |
|        |             |           | 850              | 2412               | 164                       |

**NOTE:** Nominal values at temperature (T<sub>p</sub> - 25°C) | (\*) - Normal system (without control);

The luminaire's luminous flux and input power are indicative values valid for an ambient temperature of 25°C. The actual flux emitted by the luminaire depends on environmental conditions (e.g. temperature and pollution) and may vary according to specific configurations. The reported values are subject to the tolerances in technology.

HO - High output flux;

**POLAR DIAGRAM**

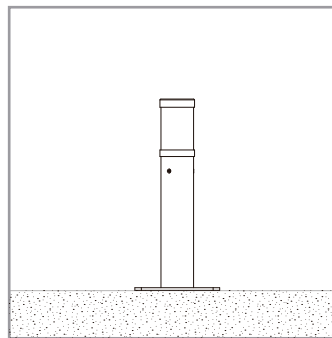


AS

**SAMPLE ORDER**

| PRODUCT FAMILY | PERFORMANCE | PHOTOMETRIC CODE | LENS | DIFFUSER | FINISHING | OPTIONS |
|----------------|-------------|------------------|------|----------|-----------|---------|
| PHARUS LED     | HO          | 930              | AS   | F        | In        | -       |

**ILLUSTRATIVE IMAGES**



**NOTES**



RISK OF  
ELECTRIC SHOCK

This device is not suitable for pricking out.  
Light source not user-replaceable.  
The power cable must be at least 3G1 type H05RN-F.

For more information on the different architectures, solutions and functionalities available, please contact Lightenjin.  
Under the general terms of the supply of our services and/or equipment, Lightenjin declines any responsibility for the use or purpose assigned to them, which are the sole and exclusive responsibility of the customer.  
Lightenjin reserves the right to change the information contained in this document without prior notice.

**LIGHTENJIN II - LIGHTING INDUSTRY, LDA**

PARQUE EMPRESARIAL DO CASARÃO, AVENIDA DAS 2 RODAS, LOTE 36A. 3750-041 AGUADA DE CIMA | PORTUGAL  
tel: +351 234 080 117 | fax: +351 234 640 064 | geral@lightenjin.pt

