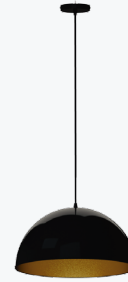


PLUVIA is a hood suitable for decorative lighting. It accommodates LED bulbs suitable for E27 sockets, making it simple and easy to use.

Available in three different sizes.



PRODUCT DESCRIPTION

Assembly	Suspension;
Body	Spun aluminum;
Application	Residential spaces; Commercial spaces;

ELECTRICAL SPECIFICATIONS

Light source	E27 socket bulb; (maximum recommended wattage - 14 W)
Class of electrical protection	II ;

STANDARDS (PRODUCTS MANUFACTURED ACCORDING TO:)

EN 60598-1:2004

FINISHES

Bk	Black (RAL 9005) - Body Ext.
G	Gold (RAL 1036) - Body Int.

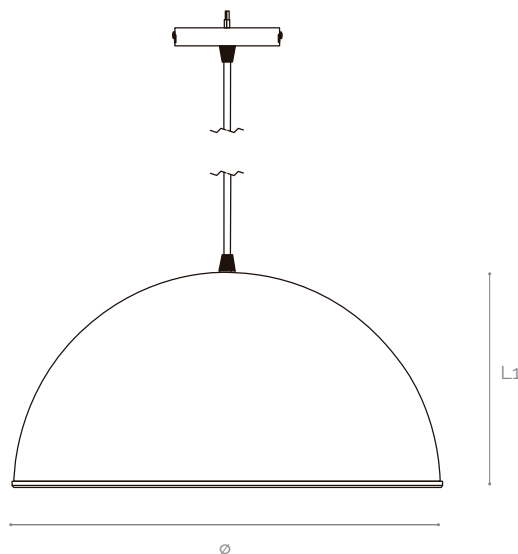
Other finishes on request

PACKAGE

Dimension (mm)	770x770x410
Weight (Kg)	4.5

MECHANICAL DRAWINGS (mm)

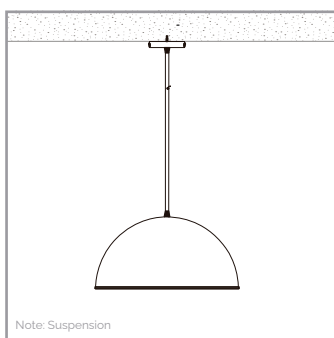
MODEL	L1 (mm)
ø500	250
ø720	360
ø1000	500



ORDER EXAMPLE

PRODUCT FAMILY	SUPPORT	FINISHING	OPTIONS
PLUVIA (Ø500)	E27	Br/ G	-

ILLUSTRATIVE IMAGES



NOTES

This device is not suitable for pricking out.
User-replaceable light source.

For more information on the different architectures, solutions and functionalities available, please contact Lightenjin.

Under the general terms of the supply of our services and/or equipment, Lightenjin declines all responsibility for the use or purpose assigned to them, which are the sole and exclusive responsibility of the customer.

Lightenjin reserves the right to change the information contained in this document without prior notice.

LIGHTENJIN II - LIGHTING INDUSTRY, LDA

PARQUE EMPRESARIAL DO CASARÃO, AVENIDA DAS 2 RODAS, LOTE 36A. 3750-041 AGUADA DE CIMA | PORTUGAL
tel: +351 234 080 117 | fax: +351 234 640 064 | geral@lightenjin.pt

