

**PRIMAVIR EVO** is a lighting solution for public spaces, specially designed for more demanding areas such as highways, expressways and secondary roads. It allows the use of different lenses suitable for each type of road, guaranteeing the homogeneity recommended by the standards bodies.

With LEDs with a high color rendering index ( $Ra > 70$ ) and high overall luminous efficiency between 103 and 115  $lm/W$ . LEDs with a high useful life ( $> 100,000h$ ), with different color temperatures available.

Usually applied on poles of 6 to 12 meters.



**PRODUCT DESCRIPTION**

<b>Assembly</b>	Post;
<b>Body</b>	Injected aluminum, thermo-lacquered;
<b>Application</b>	Gardens; Parks; Urban squares; Pedestrian zones;
<b>CRI</b>	$Ra > 70$ ;
<b>Difusor</b>	T -Transparent; (in tempered glass)

**ELECTRICAL SPECIFICATIONS**

<b>Max. Supply Current</b>	900 mA;
<b>Power Factor</b>	$> 0,90$ ;
<b>Class of electrical protection</b>	I;

**STANDARDS (PRODUCTS MANUFACTURED ACCORDING TO:)**

EN 60598-1:2018 + A1:2018  
EN 60598-2-3:2003 + A1:2011

**PACKAGE**

<b>Dimension (mm)</b>	580x580x260 (NO POST)
<b>Weight (kg)</b>	9,5

**PRODUCT OPTIONS**



<b>Control</b>	Possibility of integrating connection plugs (NEMA and Zhaga), for control system integration;
----------------	-----------------------------------------------------------------------------------------------

**FINISHES**

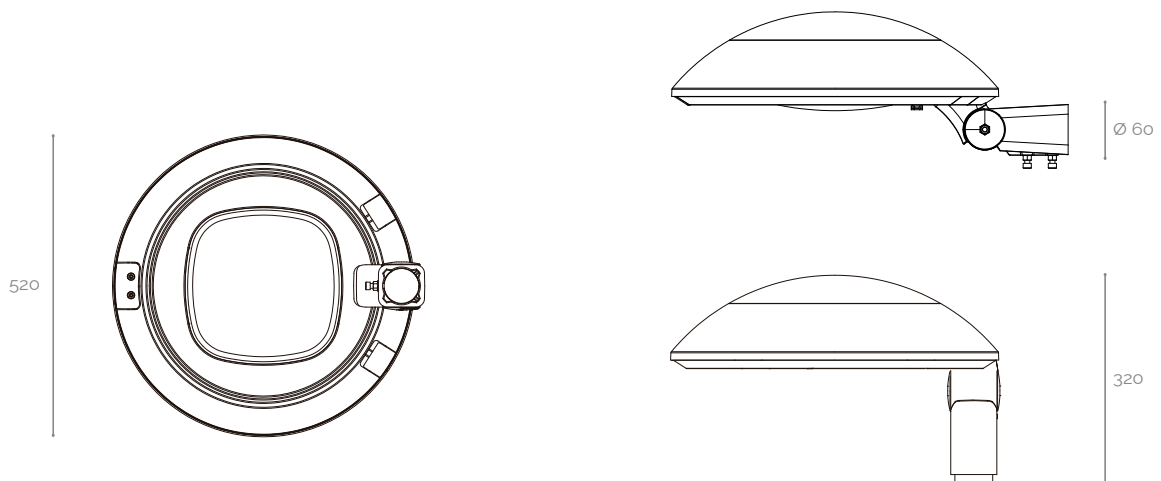
**Gr** Grey (RAL 7035 or 72-5T3)

Other finishes on request

**LIGHT PROJECTION AREAS**

 <b>Projected surface</b>	0,212 $m^2$
 <b>Projected lateral surface</b>	0,071 $m^2$

**MECHANICAL DRAWINGS (mm)**



### PHOTOMETRIC SPECIFICATIONS

MODEL	PERFORMANCE	POWER (W)	PHOTOMETRIC CODE	LUMINOUS FLUX (lm)	SYSTEM EFFICIENCY* (lm/W)
PRIMAVIR EVO I (1x8)	HO	23	730	2662	115
			740	2750	118
			750	2750	118
	HE	18	730	2160	121
			740	2231	125
			750	2231	125
PRIMAVIR EVO II (2x8)	HO	46	730	5325	116
			740	5500	120
			750	5500	120
	HE	36	730	4321	121
			740	4463	125
			750	4463	125
PRIMAVIR EVO III (2x16)	HO	70	730	8366	119
			740	8641	123
			750	8641	123
	HE	55	730	6718	123
			740	6938	127
			750	6938	127
PRIMAVIR EVO IV (4x16)	HE	108	730	13435	124
			740	13876	128
			750	13876	128

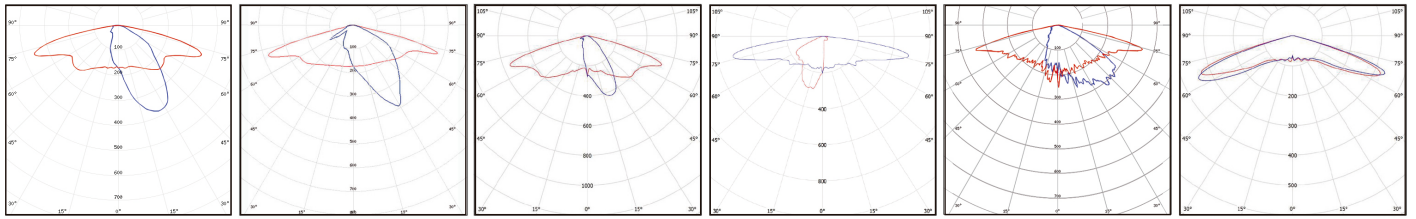
**NOTE:** Nominal values at temperature (T<sub>p</sub> - 25°C) | (\*) - Normal system (without control);

The luminaire's luminous flux and input power are indicative values valid for an ambient temperature of 25°C. The actual flux emitted by the luminaire depends on environmental conditions (e.g. temperature and pollution) and may vary according to specific configurations. The reported values are subject to the tolerances in technology.

HO - High output flux;

HE - High efficiency;

**POLAR DIAGRAM**



**T2-A**  
16 LEDs

**A-T3**  
8 LEDs

**A-T2**  
8 LEDs

**A-SCL**  
8 LEDs

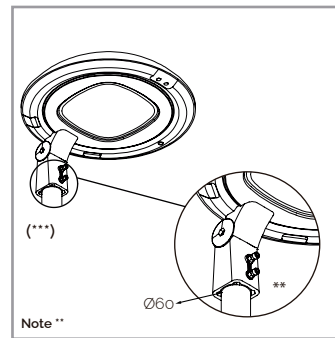
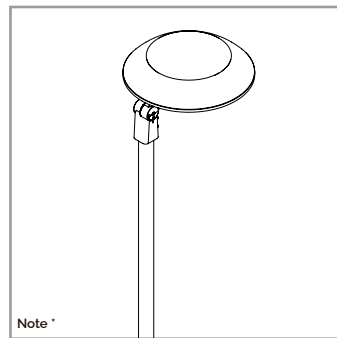
**A-ME**  
8 LEDs

**VSM**  
8 LEDs

**ORDER EXAMPLE**

PRODUCT FAMILY	PERFORMANCE	PHOTOMETRIC CODE	LENS	DIFFUSER	FINISHING	OPTIONS
PRIMAVIR EVO I (1x8)	HO	730	A-T2	T	Cz	DALI+NEMA

**ILLUSTRATIVE IMAGES**



**NOTE**

(\*) Drawing in normal operating position;

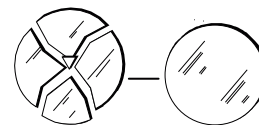
(\*\*) Tightening torque of the fixing screw according to EN 60598-2-3 (Máx: 8 N m).

(\*\*\*) Ready to be fixed to poles with outside diameter of 42 mm or 60 mm.

**NOTES**



RISK OF ELECTRIC SHOCK



LUMINAIRES WITH GLASS. Must be replaced when cracked

This device is not suitable for pricking out.  
Light source not user-replaceable.

For more information on the different architectures, solutions and functionalities available, please contact Lightenjin.

Under the general terms of the supply of our services and/or equipment, Lightenjin declines any responsibility for the use or purpose assigned to them, which are the sole and exclusive responsibility of the customer.

Lightenjin reserves the right to change the information contained in this document without prior notice.

**LIGHTENJIN II - LIGHTING INDUSTRY, LDA**

PARQUE EMPRESARIAL DO CASARÃO, AVENIDA DAS 2 RODAS, LOTE 36A, 3750-041 AGUADA DE CIMA | PORTUGAL  
tel: +351 234 080 117 | fax: +351 234 640 064 | geral@lightenjin.pt

