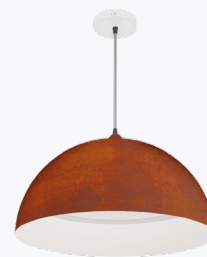


**RUSTICUS** is a hood suitable for decorative lighting. Elegant and simple design, with the possibility of being sold in different colors and finishes.

With LEDs with a high Color Rendering Index (Ra>80) and a high overall luminous efficacy of between 109 and 150 lm/W. LEDs with different color temperatures available.



**PRODUCT DESCRIPTION**

<b>Mounting Type</b>	Suspended;
<b>Body</b>	Spun aluminum;
<b>Application</b>	Commercial spaces; Offices; Exhibition areas;
<b>CRI</b>	Ra>80;
<b>Diffuser</b>	O - Opaline;

**ELECTRICAL SPECIFICATIONS**

<b>Max. Power supply output</b>	700 mA;
<b>Power Factor</b>	> 0,90;
<b>Protection class</b>	I;

**STANDARDS (PRODUCTS MANUFACTURED ACCORDING TO:)**

EN 60598-1:2004

**FINISHES**

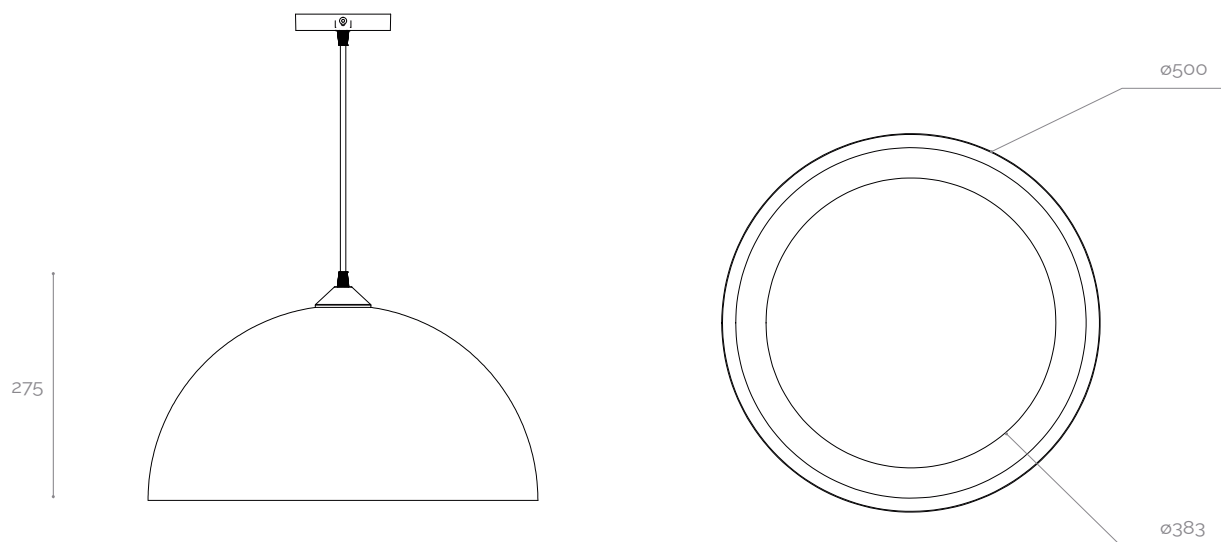
<b>Wh</b>	White (RAL 9110)
<b>Ct</b>	Corten

Different finishes upon request

**PACKAGE**

<b>Dimension</b> (mm)	510x510x300
<b>Weight</b> (Kg)	3,0

**MECHANICAL DRAWINGS (mm)**



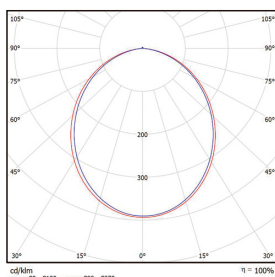
**PHOTOMETRIC SPECIFICATIONS**

DIFFUSER	PERFORMANCE	POWER (W)	PHOTOMETRIC CODE	LUMINOUS FLUX (lm)	SYSTEM EFFICIENCY* (lm/W)
O	HO	38	827	4880	127
			830	5185	135
			840	5338	139
			850	5399	141
			927	4179	109
			930	4392	115
			940	4453	116
	HE	27	950	4667	12
			827	3713	136
			830	3945	145
			840	4061	149
			850	4108	150
			927	3180	116
			930	3342	122
			940	3388	124
			950	3551	130

**NOTE:** Nominal values at temperature (Tp - 25°C) | (\*) - Normal system (without control);  
 The luminaire's luminous flux and input power are indicative values valid for an ambient temperature of 25°C. The actual flux emitted by the luminaire depends on environmental conditions (e.g. temperature and pollution) and may vary according to specific configurations. The reported values are subject to the tolerances in technology.

HO - High output flux;  
 HE - High efficiency;

**POLAR DIAGRAM**

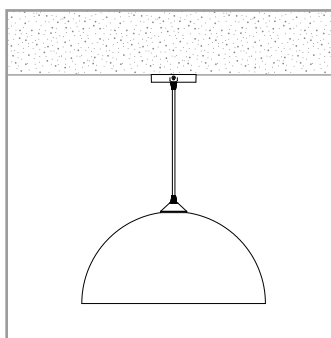


O

**ORDER EXAMPLE**

PRODUCT FAMILY	PERFORMANCE	PHOTOMETRIC CODE	DIFFUSER	FINISHING	OPTIONS
<i>RUSTICUS</i>	<i>H0</i>	<i>930</i>	<i>O</i>	<i>Ct</i>	-

**ILLUSTRATIVE IMAGES**



**NOTES**



RISK OF  
ELECTRIC SHOCK

This device is suitable for pricking out.  
Light source not user-replaceable.

For more information on the different architectures, solutions and functionalities available, please contact Lightenjin.

Under the general terms of the supply of our services and/or equipment, Lightenjin declines any responsibility for the use or purpose assigned to them, which are the sole and exclusive responsibility of the customer.

Lightenjin reserves the right to change the information contained in this document without prior notice.

**LIGHTENJIN II - LIGHTING INDUSTRY, LDA**

PARQUE EMPRESARIAL DO CASARÃO, AVENIDA DAS 2 RODAS, LOTE 36A. 3750-041 AGUADA DE CIMA | PORTUGAL  
tel: +351 234 080 117 | fax: +351 234 640 064 | geral@lightenjin.pt

