

SHEER is a downlight designed for commercial and residential spaces. It stands out for its ability to direct the light source in one or two axes. A recessed ceiling fixture that illuminates walls, display boards or other decorative elements. The Q family stands out for its square frame. Orientable.

With LEDs with a high color rendering index (Ra>90) and a long service life (>50,000h), with different color temperatures available.



PRODUCT DESCRIPTION

Assembly	Built-in;
Body	Galvanized steel, thermolacquered in color;
Application	Commercial spaces; Museums; Service areas;
CRI	Ra >90;

ELECTRICAL SPECIFICATIONS

Max. Supply Current	700 mA;
Power Factor	> 0,98;
Class of electrical protection	III ;

STANDARDS (PRODUCTS MANUFACTURED ACCORDING TO:)

- EN 60598-1:2004
- EN 60598-2-2:2023

FINISHES

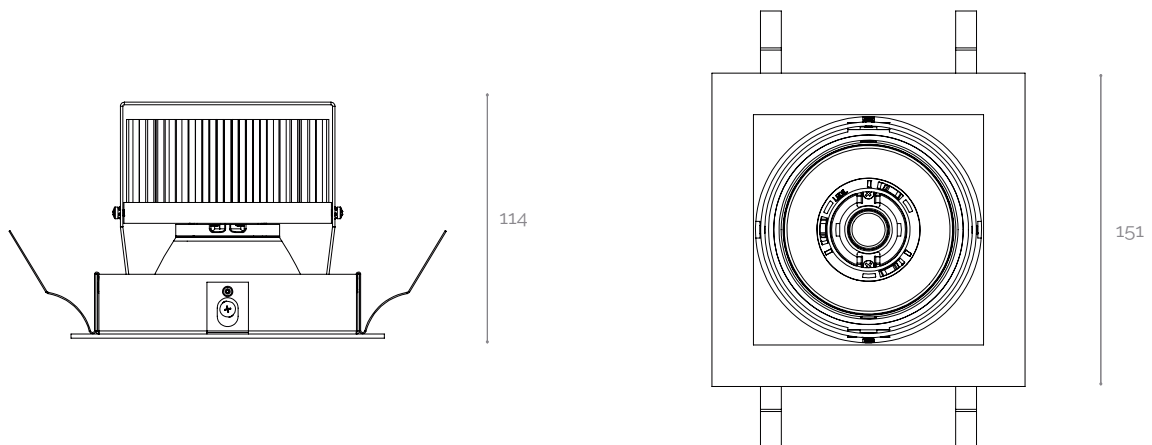
Wh	White (RAL 9110)
Gr	Grey (RAL 7040)

Other finishes on request

PACKAGE

Dimension (mm)	245x200x185
Weight (Kg)	1,6

MECHANICAL DRAWINGS (mm)



PHOTOMETRIC SPECIFICATIONS

REFLECTOR	PERFORMANCE	POWER (W)	PHOTOMETRIC CODE	LUMINOUS FLUX (lm)	SYSTEM EFFICIENCY* (lm/W)
XW	HO	28	930	2715	98
			940	2934	106
	HE	19	930	2002	106
			940	2164	114

NOTE: Nominal values at temperature (Tp-25°C | Reflector XW-72° | (*) - Normal system (without control);
 The luminous flux and input power of the luminaire are indicative values valid for an ambient temperature of 25°C. The actual flux emitted by the luminaire depends on environmental conditions (e.g. temperature and pollution) and may vary according to specific configurations. The reported values are subject to the tolerances in technology.

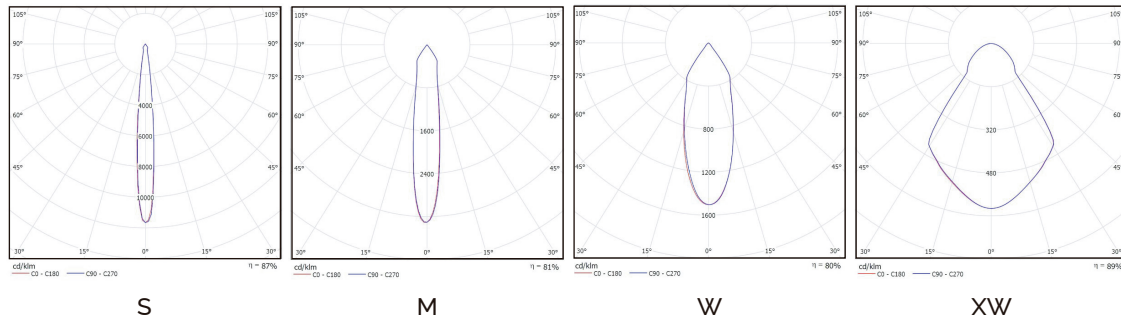
HO - High output flux;
 HE - High efficiency;

OPTIONS:

Available color temperatures:



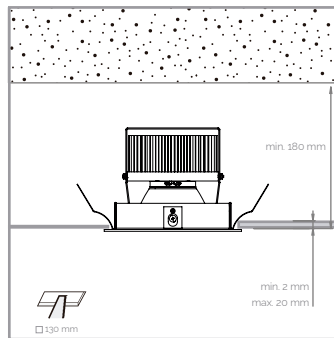
POLAR DIAGRAM



ORDER EXAMPLE

PRODUCT FAMILY	PERFORMANCE	PHOTOMETRIC CODE	REFLECTOR	FINISHING	OPTIONS
SHEER Q 130	HO	930	M	Br	-

ILLUSTRATIVE IMAGES



NOTES



THE PRODUCT MUST NOT BE COVERED WITH INSULATING OR SIMILAR MATERIAL

This device is not suitable for pricking out.
Light source not user-replaceable.

For more information on the different architectures, solutions and functionalities available, please contact Lightenjin.

Under the general terms of the supply of our services and/or equipment, Lightenjin declines any responsibility for the use or purpose assigned to them, which are the sole and exclusive responsibility of the customer.

Lightenjin reserves the right to change the information contained in this document without prior notice.

LIGHTENJIN II - LIGHTING INDUSTRY, LDA

PARQUE EMPRESARIAL DO CASARÃO, AVENIDA DAS 2 RODAS, LOTE 36A. 3750-041 AGUADA DE CIMA | PORTUGAL
tel: +351 234 080 117 | fax: +351 234 640 064 | geral@lightenjin.pt

