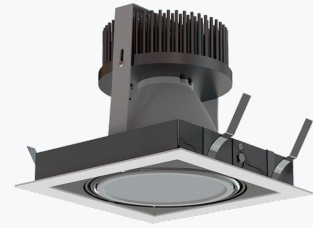


**SHEER** is a downlight designed for commercial and residential spaces. It stands out for its ability to direct the light source in one or two axes. A recessed ceiling fixture that illuminates walls, display boards or other decorative elements. The Q family stands out for its square frame. Orientable.

With LEDs with a high color rendering index (Ra>90) and a long service life (>50,000h), with different color temperatures available.



**PRODUCT DESCRIPTION**

<b>Assembly</b>	Built-in;
<b>Body</b>	Steel, thermolacquered in color;
<b>Application</b>	Commercial spaces; Museums; Service areas;
<b>CRI</b>	Ra >90;

**ELECTRICAL SPECIFICATIONS**

<b>Max. Supply Current</b>	1200 mA;
<b>Power Factor</b>	> 0,98;
<b>Class of electrical protection</b>	III ;

**STANDARDS (PRODUCTS MANUFACTURED ACCORDING TO:)**

- EN 60598-1:2004
- EN 60598-2-2:2023

**FINISHES**

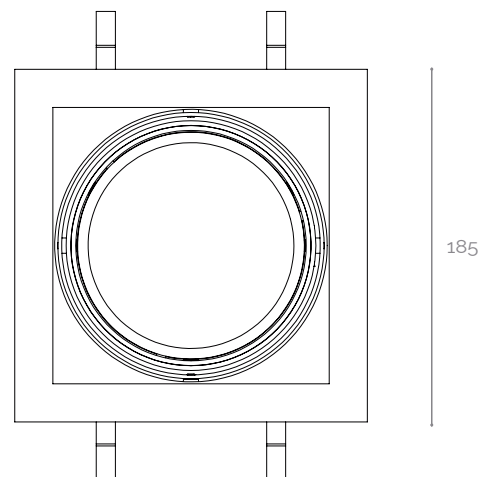
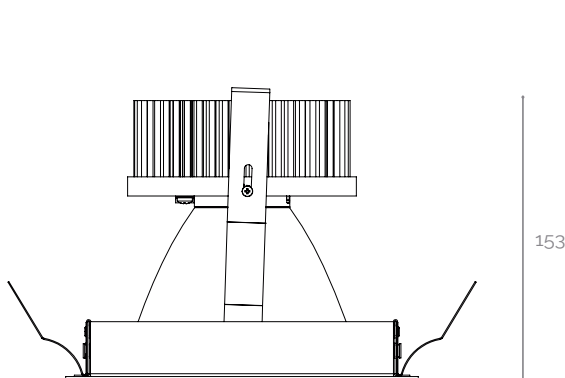
<b>Wh</b>	White (RAL 9110)
<b>Gr</b>	Grey (RAL 7040)

Other finishes on request

**PACKAGE**

<b>Dimension (mm)</b>	250x200x185
<b>Weight (Kg)</b>	1,6

**MECHANICAL DRAWINGS (mm)**



**PHOTOMETRIC SPECIFICATIONS**

MODEL	PERFORMANCE	POWER (W)	PHOTOMETRIC CODE	LUMINOUS FLUX (lm)	SYSTEM EFFICIENCY* (lm/W)
XW	HO	40	827	4289	107
			830	4468	111
			840	4646	116
			850	4646	116
			927	3563	89
			930	3693	92
			940	3992	99
	HE	28	827	3120	113
			830	3250	118
			840	3379	122
			850	3379	122
			927	2591	94
			930	2686	97
			940	2930	105

**NOTE:** Values at beam angle -72° | Without diffuser | (\*) - Normal system (without control);  
 The luminous flux and input power of the luminaire are indicative values valid for an ambient temperature of 25°C. The actual flux emitted by the luminaire depends on environmental conditions (e.g. temperature and pollution) and may vary according to specific configurations. The reported values are subject to the tolerances in technology.

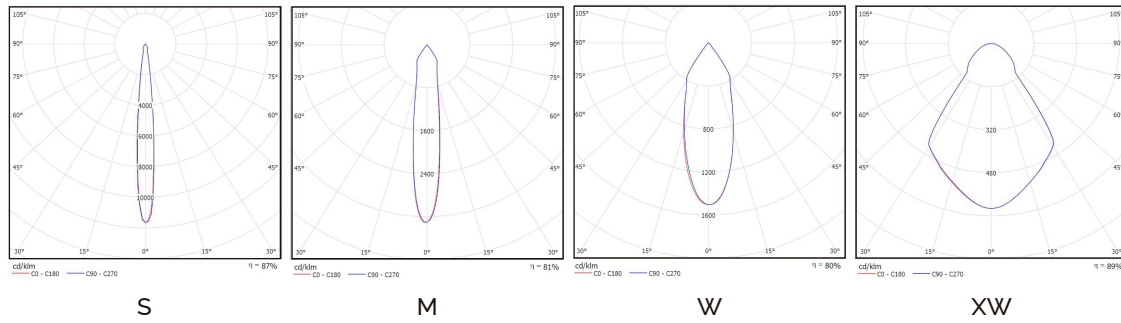
HO - High output flux;  
 HE - High efficiency;

**OPTIONS:**

Available color temperatures:



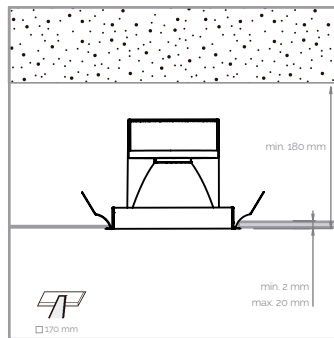
**POLAR DIAGRAM**



**ORDER EXAMPLE**

PRODUCT FAMILY	PERFORMANCE	PHOTOMETRIC CODE	REFLECTOR	FINISHING	OPTIONS
<i>SHEER Q 170</i>	<i>HO</i>	<i>930</i>	<i>M</i>	<i>Br</i>	<i>-</i>

**ILLUSTRATIVE IMAGES**



**NOTES**



THE PRODUCT MUST NOT BE COVERED WITH INSULATING OR SIMILAR MATERIAL

This device is not suitable for pricking out.  
Light source not user-replaceable.  
Power cable must be at least 3G1 type H05RN-F.

For more information on the different architectures, solutions and functionalities available, please contact Lightenjin.  
Under the general terms of the supply of our services and/or equipment, Lightenjin declines any responsibility for the use or purpose assigned to them, which are the sole and exclusive responsibility of the customer.  
Lightenjin reserves the right to change the information contained in this document without prior notice.

**LIGHTENJIN II - LIGHTING INDUSTRY, LDA**

PARQUE EMPRESARIAL DO CASARÃO, AVENIDA DAS 2 RODAS, LOTE 36A. 3750-041 AGUADA DE CIMA | PORTUGAL  
tel: +351 234 080 117 | fax: +351 234 640 064 | geral@lightenjin.pt

