

SHEER is a downlight designed for commercial and residential spaces. It stands out for its ability to direct the light source in one or two axes. A recessed ceiling fixture that illuminates walls, display boards or other decorative elements.

The R family stands out for its round frame. Orientable.

With LEDs with a high color rendering index (Ra>90) and a long service life (>50,000h), with different color temperatures available.



PRODUCT DESCRIPTION

Assembly	Recessed; (in the ceiling)
Body	Injected aluminum, thermolacquered in color;
Application	Commercial spaces; Exhibition areas;
CRI	Ra >80; Ra >90;
Diffuser	T - Transparent;

ELECTRICAL SPECIFICATIONS

Max. Supply Current	1200 mA;
Power Factor	> 0,95;
Class of electrical protection	III ;

STANDARDS (PRODUCTS MANUFACTURED ACCORDING TO:)

EN 60598-1:2004
EN 60598-2-2:2023

FINISHES

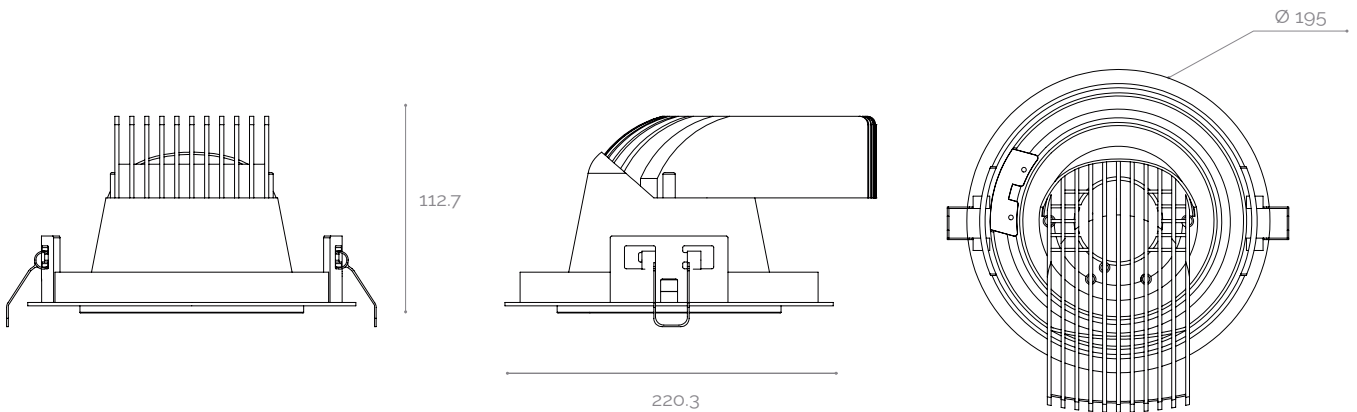
Wh	White (RAL 9110)
-----------	------------------

Other finishes on request

PACKAGE

Dimension (mm)	245x200x185
Weight (Kg)	1,7

MECHANICAL DRAWINGS (mm)



PHOTOMETRIC SPECIFICATIONS

REFLECTOR	PERFORMANCE	POWER (W)	PHOTOMETRIC CODE	LUMINOUS FLUX (lm)	SYSTEM EFFICIENCY* (lm/W)
M	HO	40	830	4388	110
			840	4505	113
			850	4563	114
			927	3432	86
			930	3569	89
			940	3822	96

NOTE: Nominal values at temperature (Tp - 25°C) | Without diffuser | (*) - Normal system (without control);
 The luminous flux and input power of the luminaire are indicative values valid for an ambient temperature of 25°C. The actual flux emitted by the luminaire depends on environmental conditions (e.g. temperature and pollution) and may vary according to specific configurations. The reported values are subject to the tolerances in technology.

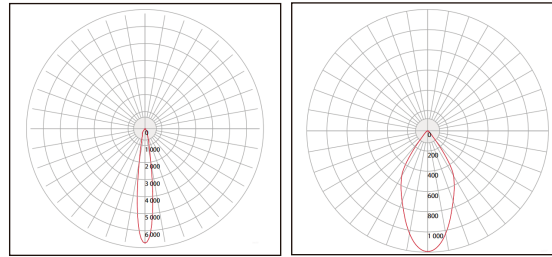
HO - High output flux;

OPTIONS:

Available color temperatures:



POLAR DIAGRAM



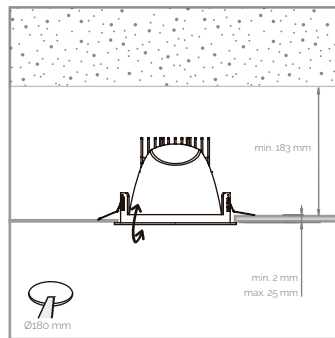
S

M

ORDER EXAMPLE

PRODUCT FAMILY	PERFORMANCE	PHOTOMETRIC CODE	LENS	DIFFUSER	FINISHING	OPTIONS
SHEER R 180	HO	940	S	T	Br	-

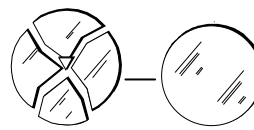
ILLUSTRATIVE IMAGES



NOTES



THE PRODUCT MUST NOT BE COVERED WITH INSULATING OR SIMILAR MATERIAL



LUMINAIRES WITH GLASS. Must be replaced when cracked

This device is not suitable for pricking out.
Light source not user-replaceable.

For more information on the different architectures, solutions and functionalities available, please contact Lightenjin.

Under the general terms of the supply of our services and/or equipment, Lightenjin declines any responsibility for the use or purpose assigned to them, which are the sole and exclusive responsibility of the customer.

Lightenjin reserves the right to change the information contained in this document without prior notice.

LIGHTENJIN II - LIGHTING INDUSTRY, LDA

PARQUE EMPRESARIAL DO CASARÃO, AVENIDA DAS 2 RODAS, LOTE 36A. 3750-041 AGUADA DE CIMA | PORTUGAL
tel: +351 234 080 117 | fax: +351 234 640 064 | geral@lightenjin.pt

