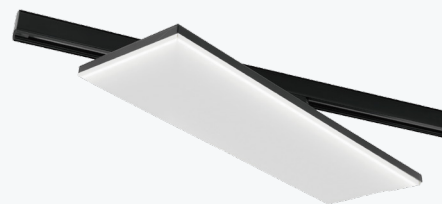


SLID is a solution designed to suit the most diverse lighting functions; versatile in terms of positioning - continuous line or projector oriented on one axis. Its simple shape makes it discreet and elegant to use.

With LEDs with a high Color Rendering Index (Ra>80) and a high overall luminous efficacy of between 106 and 117 lm/W. Long-life LEDs (>50,000h), with different color temperatures available.



PRODUCT DESCRIPTION

Assembly	Three-phase rail;
Body	Mild steel sheet, thermolacquered in color;
Application	Commercial spaces; Museums; Murals;
CRI	Ra >80;
Diffuser	O - Opaline;

ELECTRICAL SPECIFICATIONS

Max. Supply Current	275 mA;
Power Factor	> 0,90;
Class of electrical protection	I;

STANDARDS (PRODUTOS FABRICADOS SEGUNDO:)

EN 60598-1:2004

PACKAGE

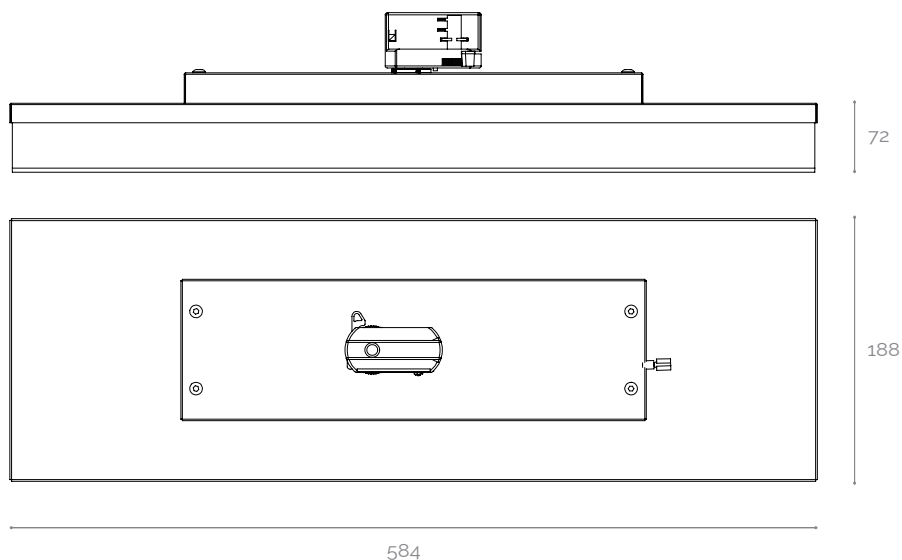
Dimension (mm)	600x200x100
Weight (Kg)	2.0

FINISHES

Wh	White (RAL 9110)
Bk	Black (RAL 9005)

Other finishes on request

MECHANICAL DRAWINGS (mm)



PHOTOMETRIC SPECIFICATIONS

DIFFUSER	PERFORMANCE	POWER (W)	PHOTOMETRIC CODE	LUMINOUS FLUX (lm)	SYSTEM EFFICIENCY* (lm/W)
O	HO	65	830	6939	106
			840	7152	110
			850	7428	114
	HE	49	830	5325	109
			840	5489	112
			850	5701	117

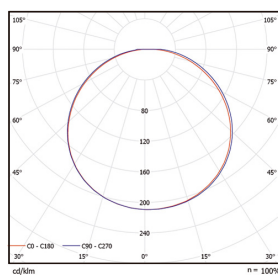
NOTE: Nominal values at temperature (Tp=25°C | XW reflector | (*) - Normal system (without control);

The luminous flux and input power of the luminaire are indicative values valid for an ambient temperature of 25°C. The actual flux emitted by the luminaire depends on environmental conditions (e.g. temperature and pollution) and may vary according to specific configurations. The reported values are subject to the tolerances in technology.

HO - High output flux;

HE - High efficiency;

POLAR DIAGRAM

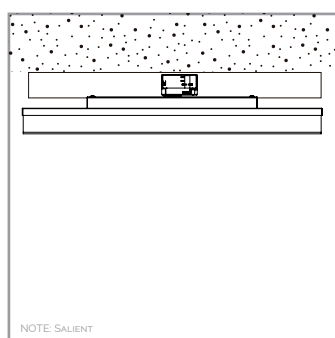


○

ORDER EXAMPLE

FAMÍLIA DE PRODUTO	PERFORMANCE	PHOTOMETRIC CODE	DIFFUSER	FINISHING	OPTIONS
SLID II	HE	830	○	Br	-

ILLUSTRATIVE IMAGES



NOTES



RISK OF
ELECTRIC SHOCK

This device is not suitable for pricking out.
Light source not user-replaceable.

For more information on the different architectures, solutions and functionalities available, please contact Lightenjin.

Under the general terms of the supply of our services and/or equipment, Lightenjin declines any responsibility for the use or purpose assigned to them, which are the sole and exclusive responsibility of the customer.

Lightenjin reserves the right to change the information contained in this document without prior notice.

LIGHTENJIN II - LIGHTING INDUSTRY, LDA

PARQUE EMPRESARIAL DO CASARÃO, AVENIDA DAS 2 RODAS, LOTE 36A. 3750-041 AGUADA DE CIMA | PORTUGAL
tel: +351 234 080 117 | fax: +351 234 640 064 | geral@lightenjin.pt

