

**STAGNUM** is a watertight surface-mounted armature with three sizes and configurations, differing in their light output. The equipment is made of materials that provide excellent resistance to the elements; a very competitive lighting solution with high added value.

With LEDs with a high color rendering index (Ra>80) and a high overall luminous efficacy of between 106 and 135 lm/W. LEDs with a long service life (>50,000h), with different color temperatures available.



**PRODUCT DESCRIPTION**

<b>Assembly</b>	Salient;
<b>Carcass</b>	PC - Polycarbonate;
<b>Watertight seal</b>	PL - Polyurethane;
<b>Clamping springs</b>	PC - Polycarbonate;
<b>Application</b>	Industrial spaces; Service areas; Garages; Car wash areas;
<b>CRI</b>	Ra >80;
<b>Diffuser</b>	O - Opaline; (in polycarbonate)
<b>Operating temperature</b>	Ta =35°C;

**ELECTRICAL SPECIFICATIONS**

<b>Max. Supply Current</b>	350 mA;
<b>Power Factor</b>	> 0,90;
<b>Class of electrical protection</b>	I;

**STANDARDS (PRODUCTS MANUFACTURED ACCORDING TO:)**

EN 60598-1:2004

**PACKAGE**

Model	Dimension (mm)	Weight (Kg)
600	700x110x100	1,3
1200	1300x110x100	2,5
1500	1600x110x100	3,0

**FINISHES**

**Gr** Grey (Polycarbonate)

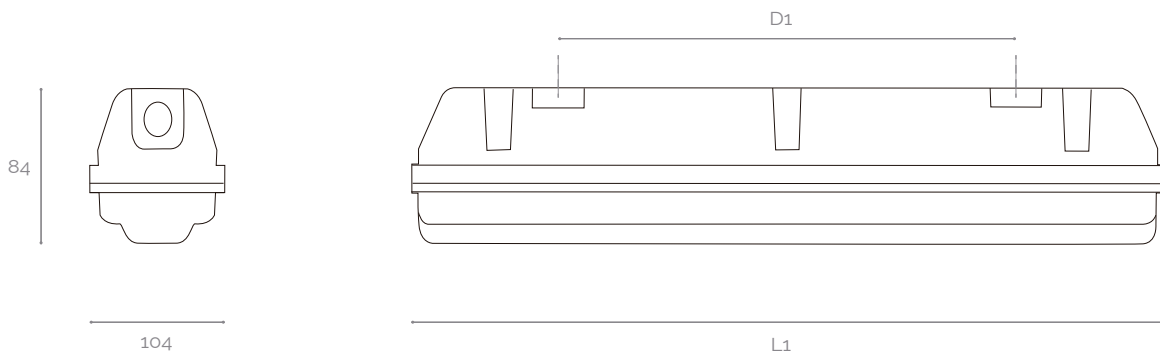
Other finishes on request

**PRODUCT OPTIONS**

- Emergency kit;
- HFS sensor;
- 20% opal diffuser - 1200 | 1500;
- Semi-opal diffuser - 600;

**MECHANICAL DRAWINGS (mm)**

MODEL	L1 (mm)	Distance between holes D1 (mm)
600	670	200
1200	1277	800
1500	1513	1100



## PHOTOMETRIC SPECIFICATIONS

MODEL	PERFORMANCE	POWER (W)	PHOTOMETRIC CODE	LUMINOUS FLUX (lm)	SYSTEM EFFICIENCY* (lm/W)
600 (Aprox. 670 mm)	HO	21	830	2793	106
			840	3031	115
			850	3301	126
	HE	15	830	2246	112
			840	2435	121
			850	2652	132
1200 (Aprox. 1277 mm)	HO	42	830	5585	109
			840	6061	118
			850	6603	128
	HE	30	830	4492	114
			840	4871	124
			850	5304	135
1500 (Aprox. 1573 mm)	HO	51	830	6981	109
			840	7577	118
			850	8253	128
	HE	37	830	5615	114
			840	6089	124
			850	6630	135

**NOTE:** Nominal values for frosted diffuser | (\*) - Normal system (without control);

The luminous flux and input power of the luminaire are indicative values valid for an ambient temperature of 25°C. The actual flux emitted by the luminaire depends on environmental conditions (e.g. temperature and pollution) and may vary according to specific configurations. The reported values are subject to the tolerances in technology.

HO - High output flux;

HE - High efficiency;

## DIFFUSER OPTIONS

ILLUSTRATIVE IMAGES

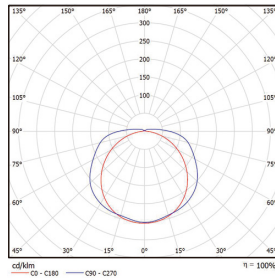


20% OPAL DIFFUSER  
STAGNUM PRO LED (1200/1500)



SEMI-OPAL DIFFUSER  
STAGNUM PRO LED (600)

**POLAR DIAGRAM**

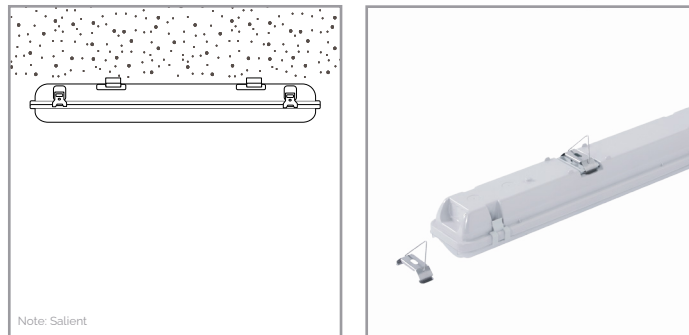


O

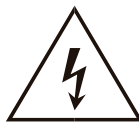
**ORDER EXAMPLE**

PRODUCT FAMILY	PERFORMANCE	PHOTOMETRIC CODE	DIFFUSER	FINISHING	OPTIONS
STAGNUM LED II (600)	HE	830	O	Cz	Semi-opal diffuser

**ILLUSTRATIVE IMAGES**



**NOTES**



RISK OF  
ELECTRIC SHOCK

This device is suitable for pricking out.  
Light source not user-replaceable.

For more information on the different architectures, solutions and functionalities available, please contact Lightenjin.

Under the general terms of the supply of our services and/or equipment, Lightenjin declines any responsibility for the use or purpose assigned to them, which are the sole and exclusive responsibility of the customer.

Lightenjin reserves the right to change the information contained in this document without prior notice.

**LIGHTENJIN II - LIGHTING INDUSTRY, LDA**

PARQUE EMPRESARIAL DO CASARÃO, AVENIDA DAS 2 RODAS, LOTE 36A. 3750-041 AGUADA DE CIMA | PORTUGAL  
tel: +351 234 080 117 | fax: +351 234 640 064 | geral@lightenjin.pt

