

TRIO is a steerable spotlight, ideal for accent lighting, allowing the light to be directed according to the needs of each client.

With LEDs with a high Color Rendering Index (Ra>90) and a high overall luminous efficacy of between 84 and 95 lm/W. LEDs with a long service life (>50,000h), with different color temperatures available.



PRODUCT DESCRIPTION

Assembly	Calha trifásica;
Body	Alumínio, termolacado à cor;
Application	Commercial spaces; Museums; Murals;
CRI	Ra >90;
Reflector	S-S; M-M; W-W; XW-XW;

ELECTRICAL SPECIFICATIONS

Max. Supply Current	1050 mA;
Power Factor	> 0,98;
Class of electrical protection	II ;

STANDARDS (PRODUCTS MANUFACTURED ACCORDING TO:)

EN 60598-1:2014

PACKAGE

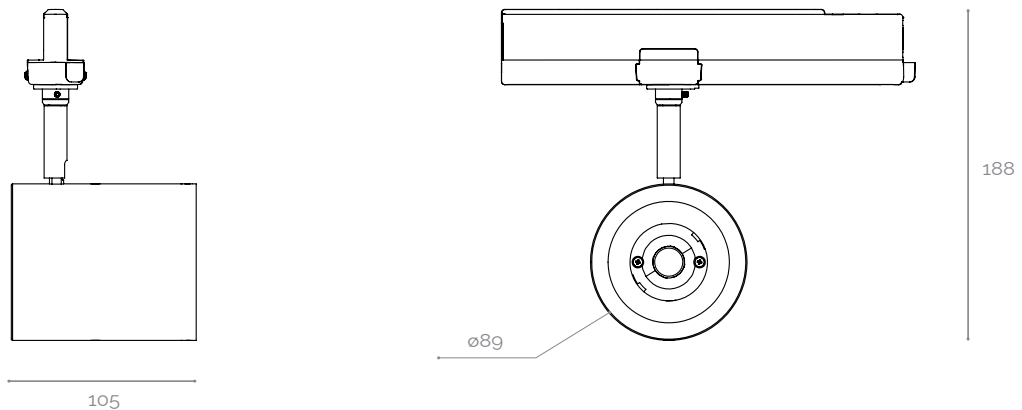
Dimension (mm)	320x300x360
Weight (kg)	1.1

FINISHES

Wh	White (RAL 9003)
Bk	Black (RAL 9005)

Other finishes on request.

MECHANICAL DRAWINGS (mm)



PHOTOMETRIC SPECIFICATIONS

REFLECTOR	PERFORMANCE	POWER (W)	PHOTOMETRIC CODE	LUMINOUS FLUX (lm)	SYSTEM EFFICIENCY* (lm/W)
M	HO	42	927	3585	85
			930	3716	88
			940	4016	95
	HE	37	927	3117	84
			930	3231	87
			940	3492	94

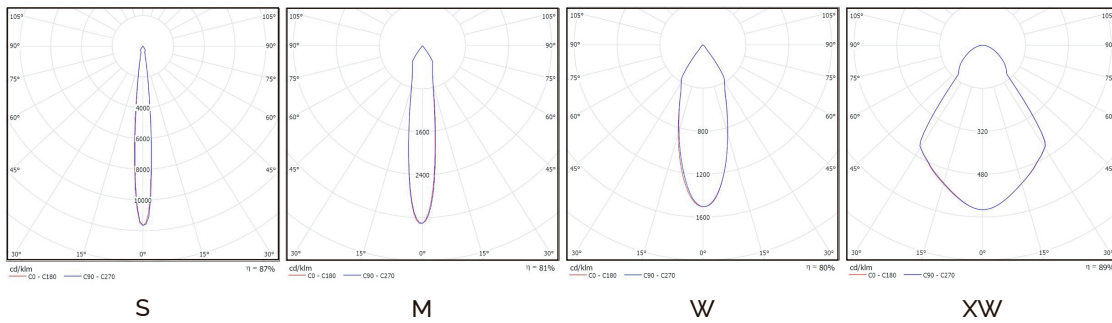
NOTE: Nominal values at temperature (Tp - 25°C) | (°) - Normal system (without control).
The luminaire's luminous flux and input power are indicative values valid for an ambient temperature of 25°C. The actual flux emitted by the luminaire depends on environmental conditions (e.g. temperature and pollution) and may vary according to specific configurations. The reported values are subject to the tolerances in technology..

OPTIONS:

Color temperatures available:



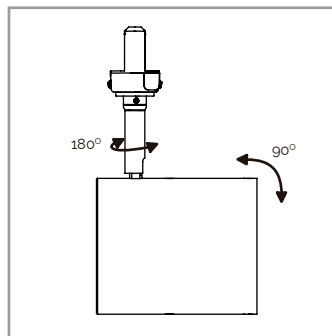
POLAR DIAGRAM



ORDER EXAMPLE

PRODUCT FAMILY	PERFORMANCE	PHOTOMETRIC CODE	REFLECTOR	FINISHING	OPTIONS
TRIO	HO	940	M	Br	-

ILLUSTRATIVE IMAGES



NOTES

This device is not suitable for pricking out.
Light source not user-replaceable.

For more information on the different architectures, solutions and functionalities available, please contact Lightenjin.

Under the general terms of the supply of our services and/or equipment, Lightenjin declines any responsibility for the use or purpose assigned to them, which are the sole and exclusive responsibility of the customer.

Lightenjin reserves the right to change the information contained in this document without prior notice.

LIGHTENJIN II - LIGHTING INDUSTRY, LDA

PARQUE EMPRESARIAL DO CASARÃO, AVENIDA DAS 2 RODAS, LOTE 36A. 3750-041 AGUADA DE CIMA | PORTUGAL
tel: +351 234 080 117 | fax: +351 234 640 064 | geral@lightenjin.pt

