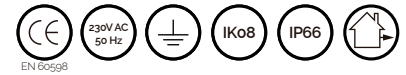


TUNLUCE is a device that combines technology with a modular design that allows it to be allocated to different sections of tunnels; it provides adequate lighting levels during the day and night, which is essential for driver safety and visual acuity.

With LEDs with a high overall luminous efficacy of between 129 and 142 lm/W. LEDs with a long service life (>100,000h), with different color temperatures available.



PRODUCT DESCRIPTION

Assembly	Salient; Suspension; (ceiling or wall)
Body	Anodized aluminum, natural color;
Application	Tunnels; Underpasses;
Diffuser	T - Transparent; (in tempered glass)

ELECTRICAL SPECIFICATIONS

Supply Current Max.	700 mA;
Power Factor	> 0,90;
Protection Class	I;
Protection	

STANDARDS (PRODUCTS MANUFACTURED ACCORDING TO:)

EN 60598-1:2018 + A1:2018
EN 60598-2-3:2003 + A1:2011

FINISHES

An	Anodized
-----------	----------

Specific surface treatments available on request

OPTIONS

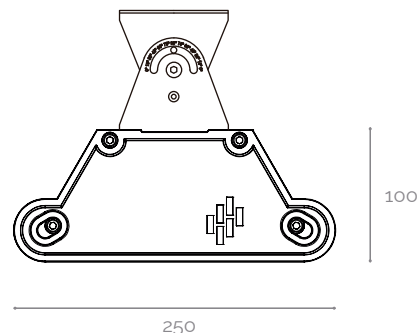
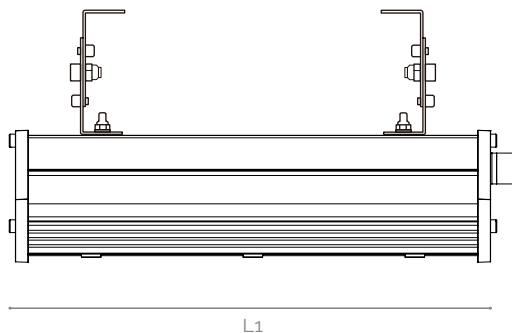
DALI (optional);
Suitable for overhead or underground electrification;

PACKAGE

Model	Dimension (mm)	Weight (Kg)
XS III	470x130x270	4.8
XS IV	470x130x270	5.0
S III	720x130x270	7.7
S IV	720x130x270	8.0
M III	1120x130x270	12.0
M IV	1120x130x270	13.6

MECHANICAL DRAWINGS (mm)

MODEL	L1 (mm)
XS	450
S	700
M	1100



PHOTOMETRIC SPECIFICATIONS

MODEL	PERFORMANCE	POWER (W)	LENS TYPOLOGY	PHOTOMETRIC CODE	LUMINOUS FLOW (lm)	SYSTEM EFFICIENCY* (lm/W)
TUNLUCE XS III	HO	83	A-CAT-B	740	10973	133
			A-FN	740	10623	129
			A-CAT	740	10973	133
			A-T4-B	740	10740	130
			CY	740	10973	133
	HE	64	A-CAT-B	740	8857	139
			A-FN	740	8574	134
			A-CAT	740	8857	139
			A-T4-B	740	8668	136
			CY	740	8857	139
TUNLUCE XS IV	HO	110	A-CAT-B	740	14631	134
			A-FN	740	14164	129
			A-CAT	740	14631	134
			A-T4-B	740	14320	131
			CY	740	14631	134
	HE	85	A-CAT-B	740	11809	139
			A-FN	740	11432	135
			A-CAT	740	11809	139
			A-T4-B	740	11558	137
			CY	740	11809	139
TUNLUCE S III	HO	162	A-CAT-B	740	21946	136
			A-FN	740	21246	131
			A-CAT	740	21946	136
			A-T4-B	740	21479	133
			CY	740	21946	136
	HE	125	A-CAT-B	740	17713	142
			A-FN	740	17148	137
			A-CAT	740	17713	142
			A-T4-B	740	17336	139
			CY	740	17713	142
TUNLUCE S IV	HO	213	A-CAT-B	740	29262	137
			A-FN	740	28328	133
			A-CAT	740	29262	137
			A-T4-B	740	28639	134
			CY	740	29262	137
	HE	167	A-CAT-B	740	23618	142
			A-FN	740	22864	137
			A-CAT	740	23618	142
			A-T4-B	740	23115	139
			CY	740	2361	142
TUNLUCE M III	HO	240	A-CAT-B	740	32919	137
			A-FN	740	31869	133
			A-CAT	740	32919	137
			A-T4-B	740	32219	134
			CY	740	32919	137
	HE	187	A-CAT-B	740	26570	142
			A-FN	740	25722	138
			A-CAT	740	26570	142
			A-T4-B	740	26005	139
			CY	740	26570	142
TUNLUCE M IV	HE	249	A-CAT-B	740	35427	142
			A-FN	740	34296	138
			A-CAT	740	35427	142
			A-T4-B	740	34673	139
			CY	740	354278	142

NOTE: Nominal values at temperature (Tp - 25°C) | (*) - Normal system (without control);

The luminaire's luminous flux and input power are indicative values valid for an ambient temperature of 25°C. The actual flux emitted by the luminaire depends on environmental conditions (e.g. temperature and pollution) and may vary according to specific configurations. The reported values are subject to the tolerances in technology.

HO - High output flux;

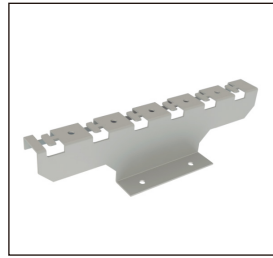
HE - High efficiency;

FIXING ACCESSORIES

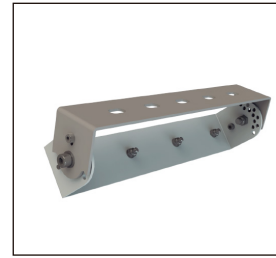
ILLUSTRATIVE IMAGES



APPLICABLE TO ALL MODELS



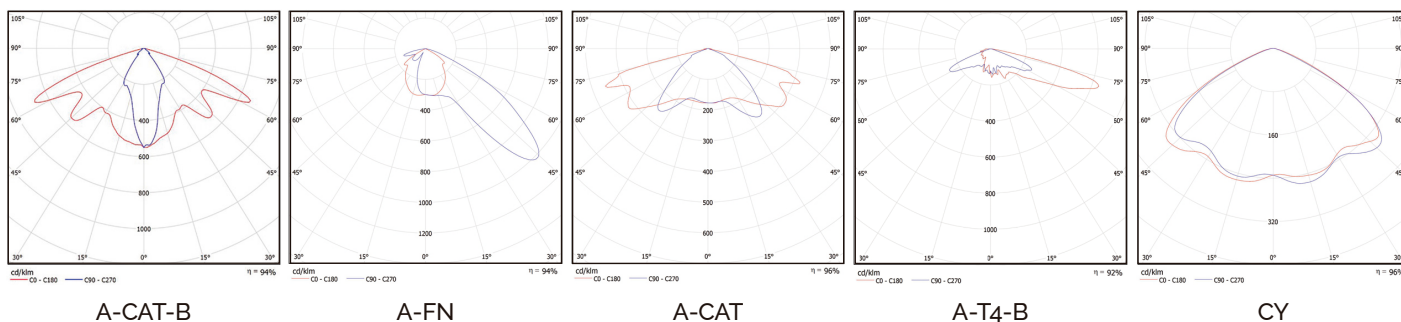
APPLICABLE TO ALL MODELS



FOR XS & S MODELS ONLY



POLAR DIAGRAM



ORDER EXAMPLE

PRODUCT FAMILY	PERFORMANCE	PHOTOMETRIC CODE	LENS	DIFFUSER	FINISHING	OPTIONS
TUNLUCE S (IV)	HE	740	A-CAT-B	O	Br	-

NOTES



RISK OF
ELECTRIC SHOCK

This device is not suitable for pricking out.
Light source not user-replaceable.

For more information on the different architectures, solutions and functionalities available, please contact Lightenjin.

Under the general terms of the supply of our services and/or equipment, Lightenjin declines any responsibility for the use or purpose assigned to them, which are the sole and exclusive responsibility of the customer.

Lightenjin reserves the right to change the information contained in this document without prior notice.

LIGHTENJIN II - LIGHTING INDUSTRY, LDA

PARQUE EMPRESARIAL DO CASARÃO, AVENIDA DAS 2 RODAS, LOTE 36A. 3750-041 AGUADA DE CIMA | PORTUGAL
tel: +351 234 080 117 | fax: +351 234 640 064 | geral@lightenjin.pt

